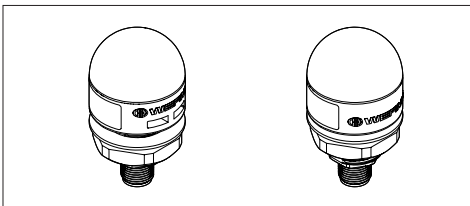
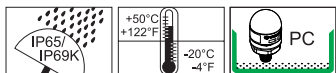
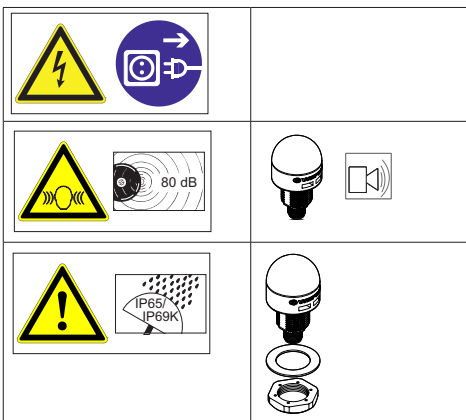


MC35-UL Multicolour Beacon



- (DE)** Anschluss **ausschließlich** durch ausgebildete Elektro-Fachkräfte.
- (GB)** Electrical connection is to be made by trained electrical specialists **only**.
- (FR)** Le branchement doit **uniquement** être effectué par des professionnels.
- (IT)** Il collegamento deve essere eseguito **solo** da elettricisti specializzati.
- (ES)** La conexión **sólo** debe ser realizada por electricistas debidamente formados.
- (PT)** A ligação deve ser feita **exclusivamente** por profissional elétrico especializado.
- (NL)** De aansluiting mag **enkel** gebeuren door erkende vakmensen.
- (CZ)** Připojení smí **provádět** pouze kvalifikovaný personál.
- (PL)** Podłączenie **wyłącznie** przez specjalistów-elektryków.
- (FI)** Liittäminen kuuluu **ainoastaan** koulutettujen sähköalan ammattilaisten tehtäviin.
- (RU)** Подключение проводится только специалистом-электриком.
- (TR)** Bağlantı **sadece** eğitimli elektrik teknisyenleri tarafından yapılmalıdır.
- (CN)** 布线需由专业电工执行。

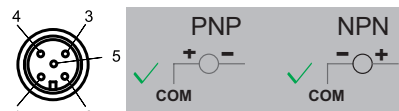


For UL use, the power source shall be an isolated secondary circuit limited to a maximum of 0.5 A and 32 V DC.



MC35 RGB Permanent

Description	Material number	Limited Voltage	Current
MC35 RGB permanent	241 320 50	10 - 30 V DC	$I \leq 60 \text{ mA @ } 24 \text{ V}$ $I_0 < 900 \text{ mA}$
MC35 RGB permanent	241 340 50	10 - 30 V DC	$I \leq 70 \text{ mA @ } 24 \text{ V}$ $I_0 < 900 \text{ mA}$



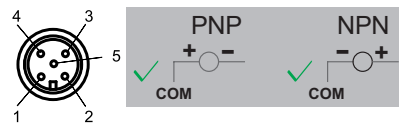
Pin					Colour
1	2	3 Com	4	5*	
NC	NC	(±)	(±)V	(±)V *	RD
(±)V	NC		NC		GN
(±)V	NC		(±)V		YE
NC	(±)V		NC		BU
(±)V	(±)V		(±)V		WH
NC	(±)V	NC	(±)V		VT
(±)V	(±)V		NC		TQ

* 241 340 50

NC = not connected

MC35 RGY Permanent

Description	Material number	Limited Voltage	Current
MC35 RGY Permanent	241 420 55	24 V DC	$I \leq 15 \text{ mA}$
MC35 RGY Permanent	241 440 55	24 V DC	$I \leq 32 \text{ mA}$ $I_0 < 600 \text{ mA}$



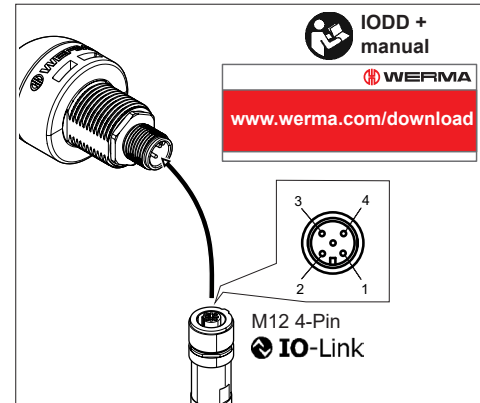
Pin					Colour
1	2	3 Com	4	5*	
NC	NC	(±)	(±)V	(±)V *	RD
(±)V	NC		NC		GN
NC	(±)V		NC		YE

* 241 440 55

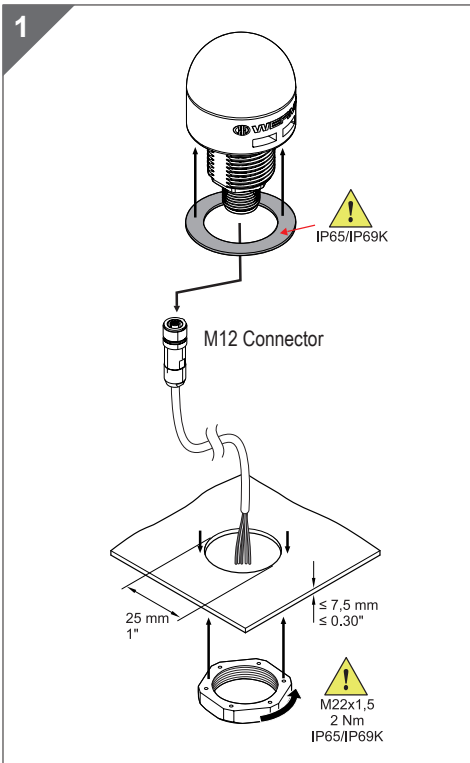
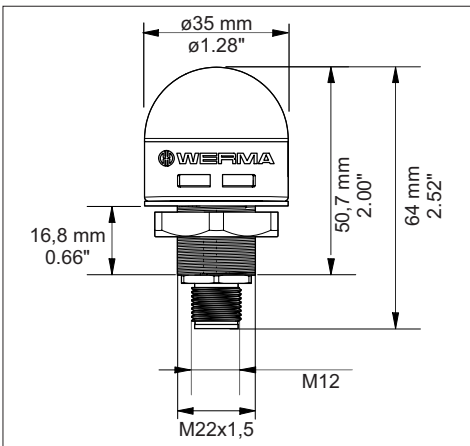
NC = not connected

MC35 IO-Link

Description	Material number	Limited Voltage	Current
MC35 IO-Link	241 510 00	18 - 30 V DC	$I \leq 35 \text{ mA @ } 24 \text{ V}$ $I_0 < 350 \text{ mA}$
MC35 IO-Link	241 510 01	18 - 30 V DC	$I \leq 35 \text{ mA @ } 24 \text{ V}$ $I_0 < 350 \text{ mA}$



M12 pin	MC35	M12 pin	MC35
1	L+	3	L-
2	+24 V (optional)	4	C/Q



15000006519_AB
310.241.004



Marking of Hazardous Substances
有害物质标识

WERMA Signaltechnik GmbH + Co. KG
Dürbheimer Straße 15
78604 Rielheim-Weilheim / Germany

WERMA article number 作马快德物料号:
241 510 00, 240 510 00, 240 510 02, 240 520 00, 241 220 55, 241 320 50, 241 420 55, 240 320 50, 240 420 55
240 240 55, 240 280 55, 240 140 55, 240 400 09, 240 600 11, 240 610 02, 240 620 02

According to the SJ/T 11364-2024 Standard of the People's Republic of China for the Electronic Industry
本表格依据中华人民共和国 SJ/T 11364-2024 的规定编制

Component Name 部件名称	Hazardous Substances 有害物质							
	Lead 铅(Pb)	Mercury 汞(Hg)	Cadmium 镉(Cd)	Hexavalent Chromium 六价铬(Cr [VI])	Polybrominated biphenyls 多溴联苯(PBB)	Polybrominated diphenyl ethers 多溴二苯醚 (PBDE)	4 phthalates (DEHP, DBP, BBP, DIBP) 4种邻苯二甲酸酯 (DEHP, DBP, BBP, DIBP)	
Plastic parts 塑料件	○	○	○	○	○	○	○	○
Label 标签	○	○	○	○	○	○	○	○
PCB and its electr. comp. 印制电路板及 其电子元器件	X*	○	○	○	○	○	○	○
M12 plug and cable M12 插头电缆 线	X*	○	○	○	○	○	○	○



Marking of Hazardous Substances
有害物质标识

WERMA Signaltechnik GmbH + Co. KG
Dürbheimer Straße 15
78604 Rielheim-Weilheim / Germany

WERMA article number 作马快德物料号:
240 170 55, 240 270 55, 240 290 55, 240 340 50, 241 440 55, 240 510 01, 240 510 03, 240 520 01, 240 600 10, 240 600 12,
240 610 03, 240 620 03, 241 240 55, 241 340 50, 241 440 55, 241 510 01

According to the SJ/T 11364-2024 Standard of the People's Republic of China for the Electronic Industry
本表格依据中华人民共和国 SJ/T 11364-2024 的规定编制

Component Name 部件名称	Hazardous Substances 有害物质							
	Lead 铅(Pb)	Mercury 汞(Hg)	Cadmium 镉(Cd)	Hexavalent Chromium 六价铬(Cr [VI])	Polybrominated biphenyls 多溴联苯(PBB)	Polybrominated diphenyl ethers 多溴二苯醚 (PBDE)	4 phthalates (DEHP, DBP, BBP, DIBP) 4种邻苯二甲酸酯 (DEHP, DBP, BBP, DIBP)	
Plastic parts 塑料件	○	○	○	○	○	○	○	○
Label 标签	○	○	○	○	○	○	○	○
PCB and its electr. comp. 印制电路板及 其电子元器件	X*	○	○	○	○	○	○	○
Buzzer 蜂鸣器	X*	○	○	○	○	○	○	○
M12 plug and cable M12 插头电缆 线	X*	○	○	○	○	○	○	○



This table was developed according to the provisions of SJ/T 11364-2024
本表格依据 SJ / T 11364-2024 的规定编制

O: The content of such hazardous substance in all homogeneous materials of such component is below the limit required by GB/T 26572-2011.
表示该有害物质在该部件所有均质材料中的含量均在 GB/T 26572-2011 规定的限量要求以下。
X: The content of such hazardous substance in all homogeneous materials of such component is beyond the limit required by GB/T 26572-2011.
表示该有害物质在该部件的某一均质材料中的含量超出 GB/T 26572-2011 规定的限量要求。

Enterprises may further explain the technical reasons for ticking "X" in the table above according to their actual situation herein.
企业可在此处, 根据实际情况对上表中打"X"的技术原因进行进一步说明。

*Exemptions according to EU RoHS 2011/65 Annex III and IV might be applied
"欧盟 RoHS 2011/65 附件 III 和 IV 的豁免可能适用"

■ Restricted substances beyond limit required by GB/T 26572-2011.

限制物质的含量超过 GB/T 26572-2011 规定限制
EUP (Environment Friendly Use Period) 环保使用期限: 25



This table was developed according to the provisions of SJ/T 11364-2024
本表格依据 SJ / T 11364-2024 的规定编制

O: The content of such hazardous substance in all homogeneous materials of such component is below the limit required by GB/T 26572-2011.
表示该有害物质在该部件所有均质材料中的含量均在 GB/T 26572-2011 规定的限量要求以下。
X: The content of such hazardous substance in all homogeneous materials of such component is beyond the limit required by GB/T 26572-2011.
表示该有害物质在该部件的某一均质材料中的含量超出 GB/T 26572-2011 规定的限量要求。

Enterprises may further explain the technical reasons for ticking "X" in the table above according to their actual situation herein.
企业可在此处, 根据实际情况对上表中打"X"的技术原因进行进一步说明。

*Exemptions according to EU RoHS 2011/65 Annex III and IV might be applied
"欧盟 RoHS 2011/65 附件 III 和 IV 的豁免可能适用"

■ Restricted substances beyond limit required by GB/T 26572-2011.

限制物质的含量超过 GB/T 26572-2011 规定限制
EUP (Environment Friendly Use Period) 环保使用期限: 10

Rielheim 里尔姆 12.03.2026

i.V. 授权 D. Kensy

Kensy
ppa. D. Kensy
Director R&D

Rielheim 里尔姆 19.03.2026

Kensy
ppa. D. Kensy
Director R&D