

Signal tower / Pre-assembled Signal Tower  
**SignalSET Extra SmartBOX**



<b>Part No.:</b>	<b>860.000.15</b>
<b>Series:</b>	<b>KombiSIGN 72</b>

**MECHANICAL DATA**

Length	92 mm
Width	32 mm
Height	160 mm
Materials	PA-GF
Housing colour	Black
Protection category	IP30
Connection	Special version
Type of fixing	Base mounting Wall mounting
Working temperature minimum	0°C
Working temperature maximum	+40°C
Weight with packaging	464 g
Product weight	405 g

**ELECTRICAL DATA**

Operating voltage	115-230V
Operating voltage type	AC
Operating voltage frequency	50Hz 60Hz
Operating voltage tolerance	+/- 10%
Protection class	Protection class 2
Pollution degree	2
Overvoltage category	II
Isolation voltage	Ui = 250V; Uimp = 2.500V

**APPROVAL DATA**

Conforms with CE	Yes
WEEE	Yes
Conforms with RED directive	Yes
Conforms with ATEX-directive	No
Conforms with CCC-Ex	No
Conforms with CCC	No
Conforms with UL	No
Conforms with FCC	No
Conforms with IC	No
EAC certificate available	No
Conforms with UKCA (Importer)	No
Conforms with CMIM	No
Conforms with AS-I	No

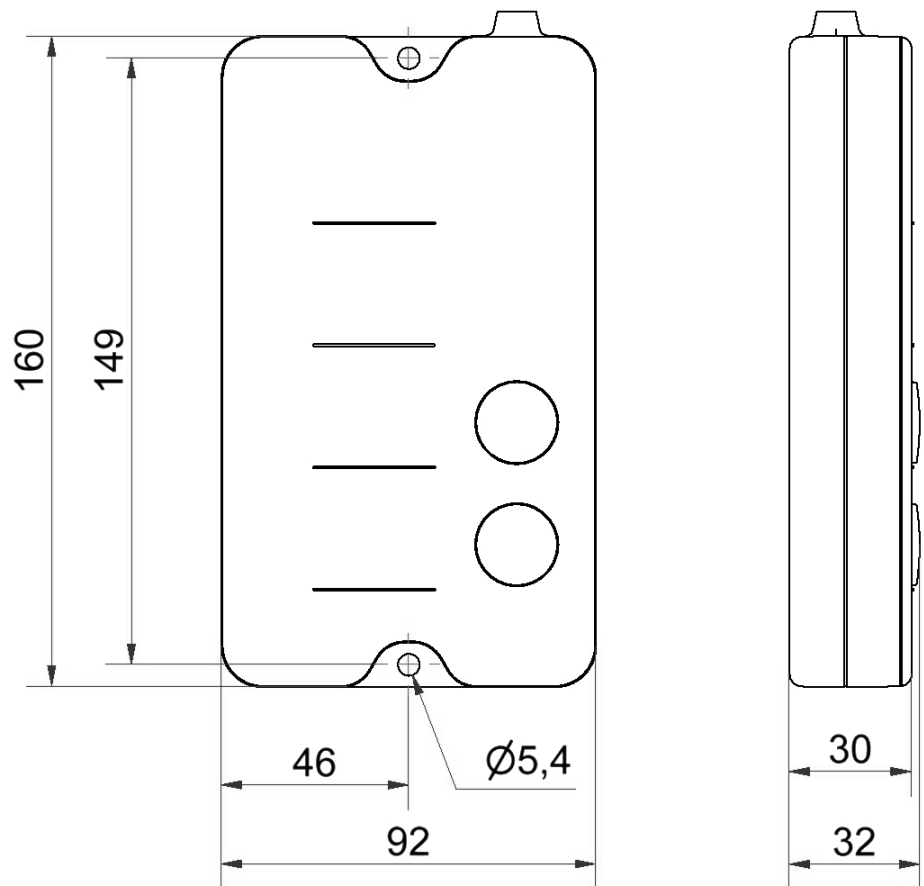


For additional installation and mounting information, refer to the appropriate user guide at [www.werma.com](http://www.werma.com). This printed copy is for information only and is subject to alteration.

Signal tower / Pre-assembled Signal Tower  
**SignalSET Extra SmartBOX**

Conforms with DNV	No
Conforms with RoHS CN	No
Conforms with VdS	No

**DRAWING**



**!** For additional installation and mounting information, refer to the appropriate user guide at [www.werma.com](http://www.werma.com). This printed copy is for information only and is subject to alteration.