

Signal tower / Terminal elements

**Terminal element w. plug KS71/72**

Part No.:	640.000.02
Series:	KombiSIGN 71

**MECHANICAL DATA**

Height	36 mm
Diameter	70 mm
Materials	PA-GF PC
Housing colour	Black
Protection category	IP65
Connection	Plug-in connection
Type of fixing	Tube mounting
Working temperature minimum	-20°C
Working temperature maximum	+50°C
Weight with packaging	90 g
Product weight	72 g

**ELECTRICAL DATA**

Operating voltage	24V
Operating voltage type	DC
Protection class	Protection class 2
Pollution degree	2

**APPROVAL DATA**

Conforms with CE	No
WEEE	No
Conforms with RED directive	No
Conforms with ATEX-directive	No
Conforms with CCC	No
Conforms with UL	No
Conforms with FCC	No
Conforms with IC	No
EAC certificate available	No
Conforms with AS-I	No
Conforms with DNV	No
Conforms with RoHS CN	No
Conforms with VdS	No

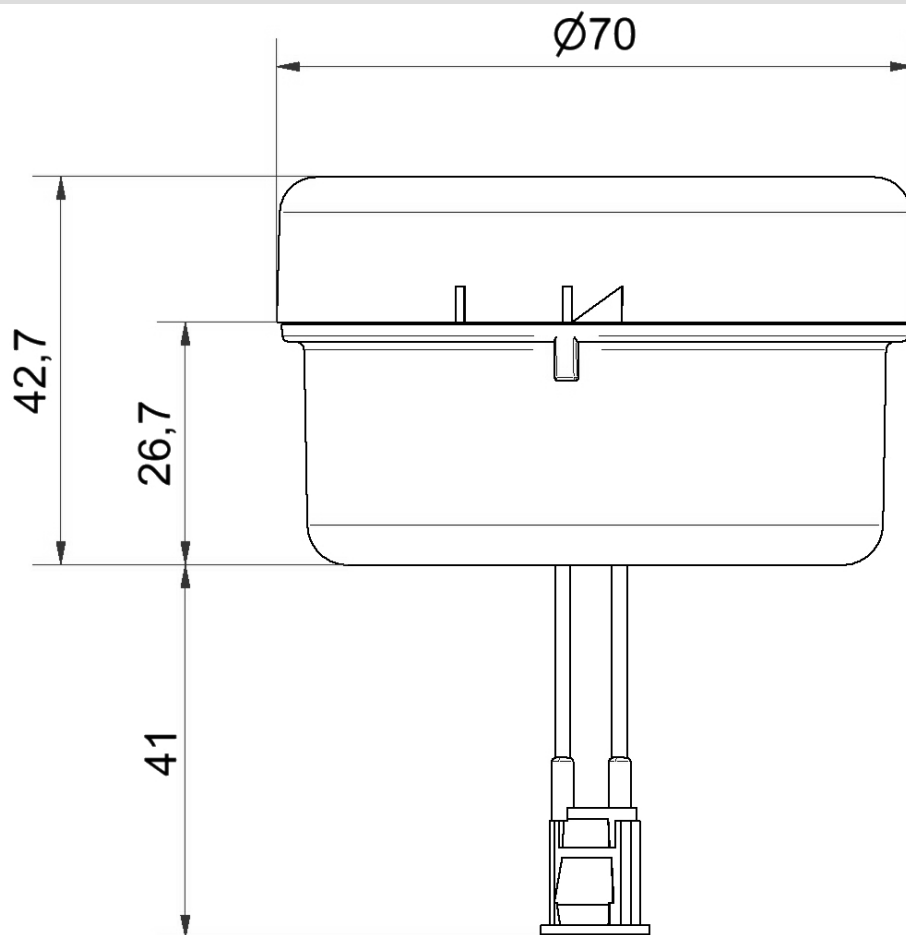


For additional installation and mounting information, refer to the appropriate user guide at [www.werma.com](http://www.werma.com). This printed copy is for information only and is subject to alteration.

Signal tower / Terminal elements

**Terminal element w. plug KS71/72**

DRAWING



For additional installation and mounting information, refer to the appropriate user guide at [www.werma.com](http://www.werma.com). This printed copy is for information only and is subject to alteration.