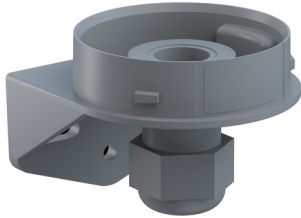


EvoSIGNAL / EvoSIGNAL Accessories

**Mini Bracket Cable Gland GY**

<b>Part No.:</b>	<b>260.700.06</b>
<b>Series:</b>	<b>EvoSIGNAL</b>

**MECHANICAL DATA**

Length	67 mm
Width	62 mm
Height	51 mm
Diameter	62 mm
Materials	PC/ABS
Housing colour	Grey
Protection category	IP66
Cable entry	Screwed cable gland
Cable entry minimum	d = 8 mm
Cable entry maximum	d = 12 mm
Tension relief	Present (conforms to VDE)
Type of fixing	Wall mounting
Working temperature minimum	-30°C
Working temperature maximum	+60°C
Weight with packaging	39 g
Product weight	35 g

**ELECTRICAL DATA**

Pollution degree	3
------------------	---

**APPROVAL DATA**

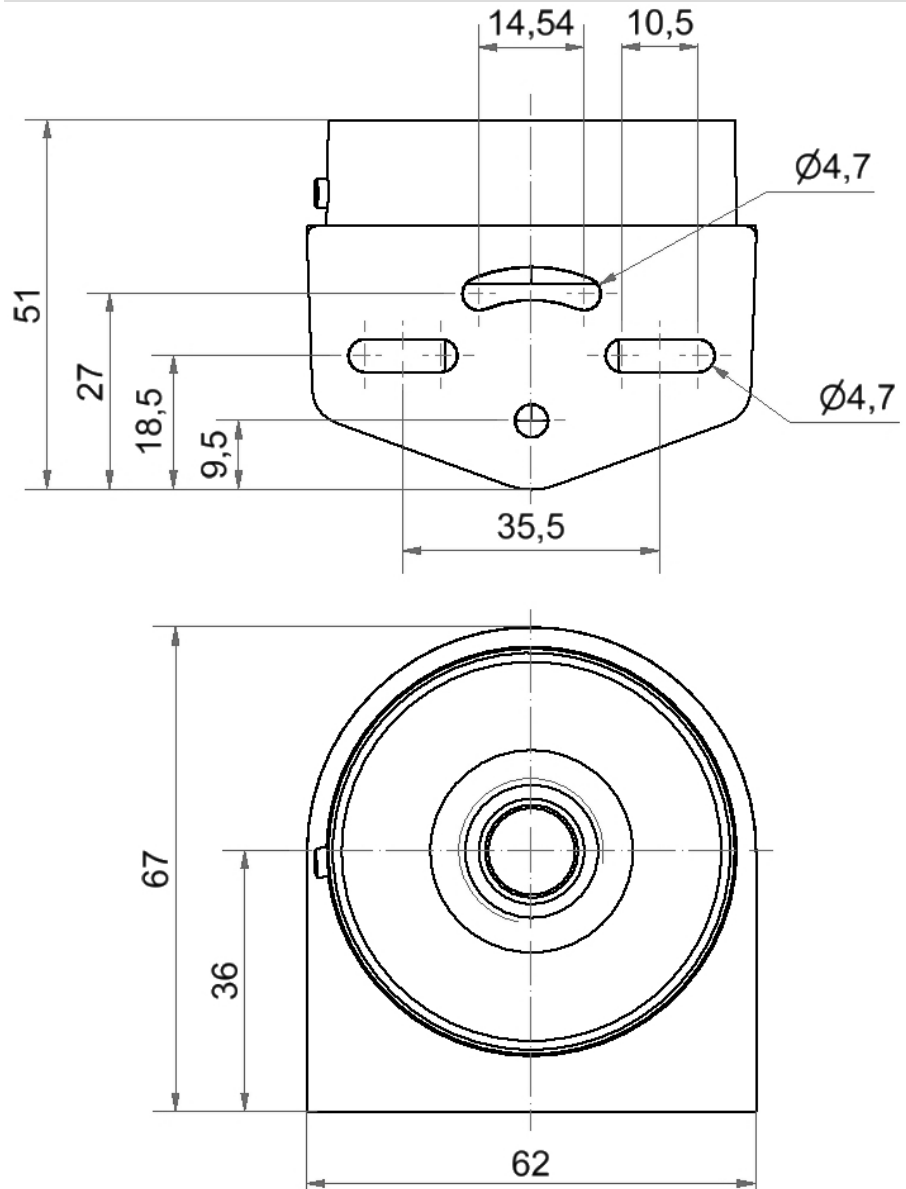
Conforms with CE	No
WEEE	No
Conforms with ATEX-directive	No
Conforms with CCC	No
Conforms with UL	No
Conforms with FCC	No
Conforms with IC	No
EAC certificate available	Yes
Conforms with UKCA (Importer)	No
Conforms with AS-I	No
ICAO Certification	No
Conforms with DNV	No
Conforms with RoHS CN	No
Conforms with VdS	No



For additional installation and mounting information, refer to the appropriate user guide at [www.werma.com](http://www.werma.com). This printed copy is for information only and is subject to alteration.

EvoSIGNAL / EvoSIGNAL Accessories  
**Mini Bracket Cable Gland GY**

**DRAWING**



For additional installation and mounting information, refer to the appropriate user guide at [www.werma.com](http://www.werma.com). This printed copy is for information only and is subject to alteration.