

Installation / LED/Buzzer with acknowledgement function

AS-i LED/Buzzer EM Contin. tone 30VDC RD

Part No.: 450.110.55

**MECHANICAL DATA**

Height	81 mm
Diameter	50 mm
Materials	PC PC/ABS
Dome colour	Red
Housing colour	Black
Protection category	IP65
Connection	Screw terminals
cross-sectional area maximum	1,50mm ² / 16AWG
Type of fixing	Built-in mounting
Service life optical	50,000 h maximum
Acoustic service life	5,000 h minimum
Working temperature minimum	-20°C
Working temperature maximum	+50°C
UL Type Rating	Type 12
Weight with packaging	57 g
Product weight	41 g

ELECTRICAL DATA

Operating voltage	18,5 - 31,6V (ASi)
Operating voltage type	DC
Rated operational current	80 mA
Rated inrush current	500 mA
Protection class	Protection class 2
Pollution degree	3 In the connection area: 2
AS-i Slave Type	A/B
AS-i Profile	S-B.A.E

OPTICAL DATA

Light source	LED
Light colour	Red
Optical signal image	Permanent

ACUSTICAL DATA

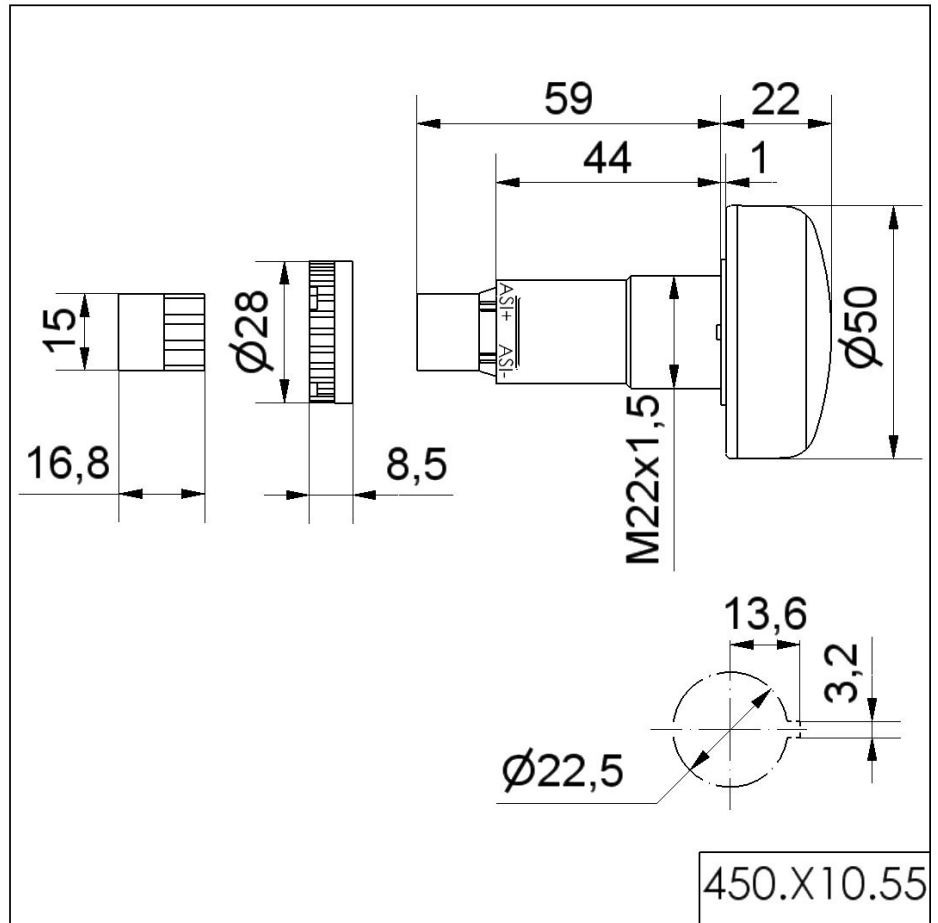
Volume/dB(max) at 1m distance	80,0 dB dB(A)
Acoustic signal image	Continuous tone
Audio frequency	2800 Hz



For additional installation and mounting information, refer to the appropriate user guide at www.werma.com. This printed copy is for information only and is subject to alteration.

Installation / LED/Buzzer with acknowledgement function
AS-i LED/Buzzer EM Contin. tone 30VDC RD

DRAWING



For additional installation and mounting information, refer to the appropriate user guide at www.werma.com. This printed copy is for information only and is subject to alteration.