

Design / LED-EVS-Multi-tone Sounder 444

**LED EVS-Multi-tone S. BWM 32 tne 230VAC Y**



reddot design award  
honourable mention 2009

Part No.: 444.310.68



| MECHANICAL DATA              |                                |
|------------------------------|--------------------------------|
| Length                       | 112 mm                         |
| Width                        | 109 mm                         |
| Height                       | 150 mm                         |
| Materials                    | PC<br>PC/ABS                   |
| Dome colour                  | Yellow                         |
| Housing colour               | Black                          |
| Protection category          | IP65                           |
| Connection                   | Spring-type terminal           |
| cross-sectional area maximum | 2,50mm <sup>2</sup> / 14AWG    |
| Cable entry                  | Membrane grommet               |
| Cable entry minimum          | d = 1 mm                       |
| Cable entry maximum          | d = 13 mm                      |
| Type of fixing               | Base mounting<br>Wall mounting |
| Service life optical         | 50,000 h maximum               |
| Acoustic service life        | 5,000 h minimum                |
| Working temperature minimum  | -30°C                          |
| Working temperature maximum  | +50°C                          |
| Weight with packaging        | 540 g                          |
| Product weight               | 470 g                          |
| ELECTRICAL DATA              |                                |
| Operating voltage            | 230V                           |
| Operating voltage type       | AC                             |
| Operating voltage type       | 50Hz                           |
| Operating voltage tolerance  | +/- 10%                        |
| Rated operational voltage    | 230 VAC                        |
| Rated operational current    | 30 mA                          |
| Rated inrush current         | 75 mA                          |
| Protection class             | Protection class 2             |
| Pollution degree             | 3                              |
| Overvoltage category         | II                             |
| Isolation voltage            | Ui = 250V; Uimp = 2.500V       |
| OPTICAL DATA                 |                                |
| Light source                 | LED                            |
| Light colour                 | Yellow                         |
| Optical signal image         | EVS                            |

! For additional installation and mounting information, refer to the appropriate user guide at [www.werma.com](http://www.werma.com). This printed copy is for information only and is subject to alteration.

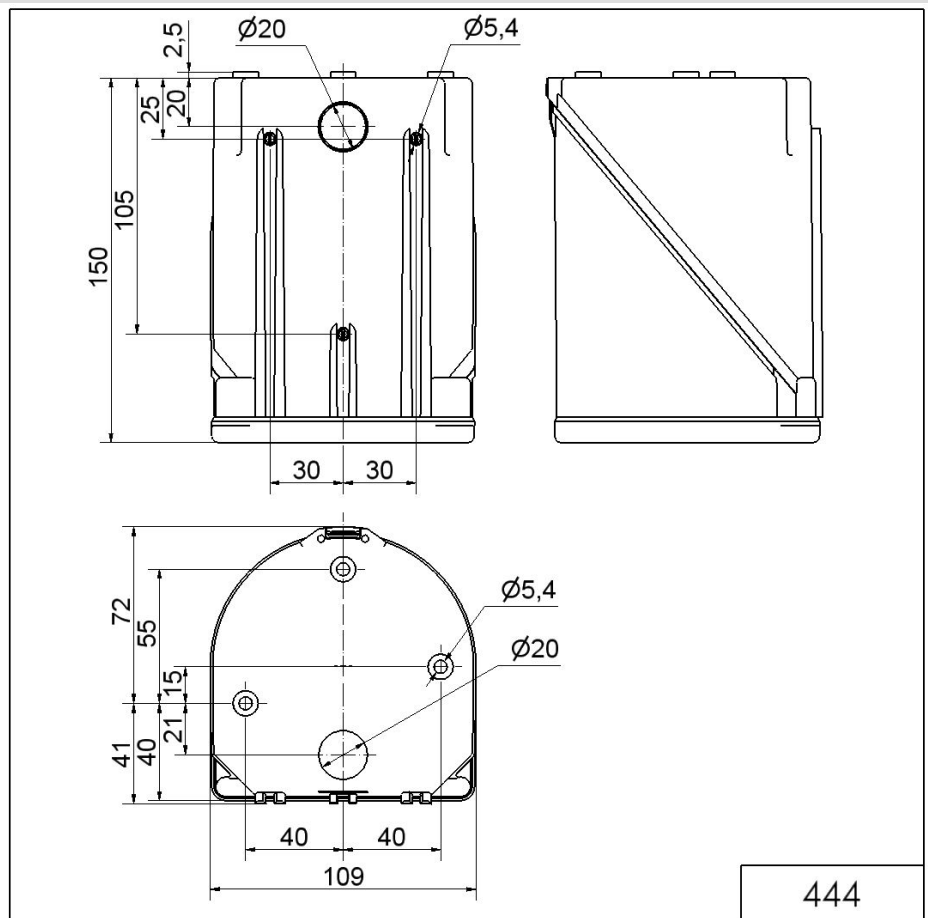
Design / LED-EVS-Multi-tone Sounder 444

**LED EVS-Multi-tone S. BWM 32 tne 230VAC Y**

|                 |      |
|-----------------|------|
| Flash frequency | 1 Hz |
|-----------------|------|

| ACUSTICAL DATA                |                |
|-------------------------------|----------------|
| Volume/dB(max) at 1m distance | 114,0 dB dB(A) |
| Acoustic signal image         | Multi-tone     |
| Number of tones               | 32 tone        |

**DRAWING**



! For additional installation and mounting information, refer to the appropriate user guide at [www.werma.com](http://www.werma.com). This printed copy is for information only and is subject to alteration.