

Heavy-Duty / Flash/Multi-Tone Sounder 441

Flash/Sounder WM 32 tne 230VAC GY/RD



Part No.: 441.110.68



| MECHANICAL DATA | |
|------------------------------|-----------------------------|
| Length | 165 mm |
| Width | 169 mm |
| Height | 132 mm |
| Materials | PC PC/ABS |
| Dome colour | Red |
| Housing colour | Grey |
| Protection category | IP66 |
| Connection | Screw terminals |
| cross-sectional area minimum | 0,25mm ² / 24AWG |
| cross-sectional area maximum | 1,50mm ² / 16AWG |
| Cable entry | Screwed cable gland |
| Cable entry minimum | d = 8 mm |
| Cable entry maximum | d = 12 mm |
| Tension relief | Present (conforms to VDI) |
| Type of fixing | Wall mounting |
| Service life optical | 50,000 h maximum |
| Acoustic service life | 5,000 h minimum |
| Working temperature minimum | -25°C |
| Working temperature maximum | +70°C |
| Weight with packaging | 772 g |
| Product weight | 672 g |

| ELECTRICAL DATA | |
|-----------------------------|--------------------------|
| Operating voltage | 230V |
| Operating voltage type | AC |
| Operating voltage type | 50Hz |
| Operating voltage tolerance | +/- 10% |
| Rated operational voltage | 230 VAC |
| Rated operational current | 35 mA |
| Protection class | Protection class 2 |
| Pollution degree | 3 |
| Overtoltage category | II |
| Isolation voltage | Ui = 250V; Uimp = 2.500V |

| OPTICAL DATA | |
|----------------------|-------|
| Light source | Xenon |
| Light colour | Red |
| Optical signal image | Flash |

! For additional installation and mounting information, refer to the appropriate user guide at www.werma.com. This printed copy is for information only and is subject to alteration.

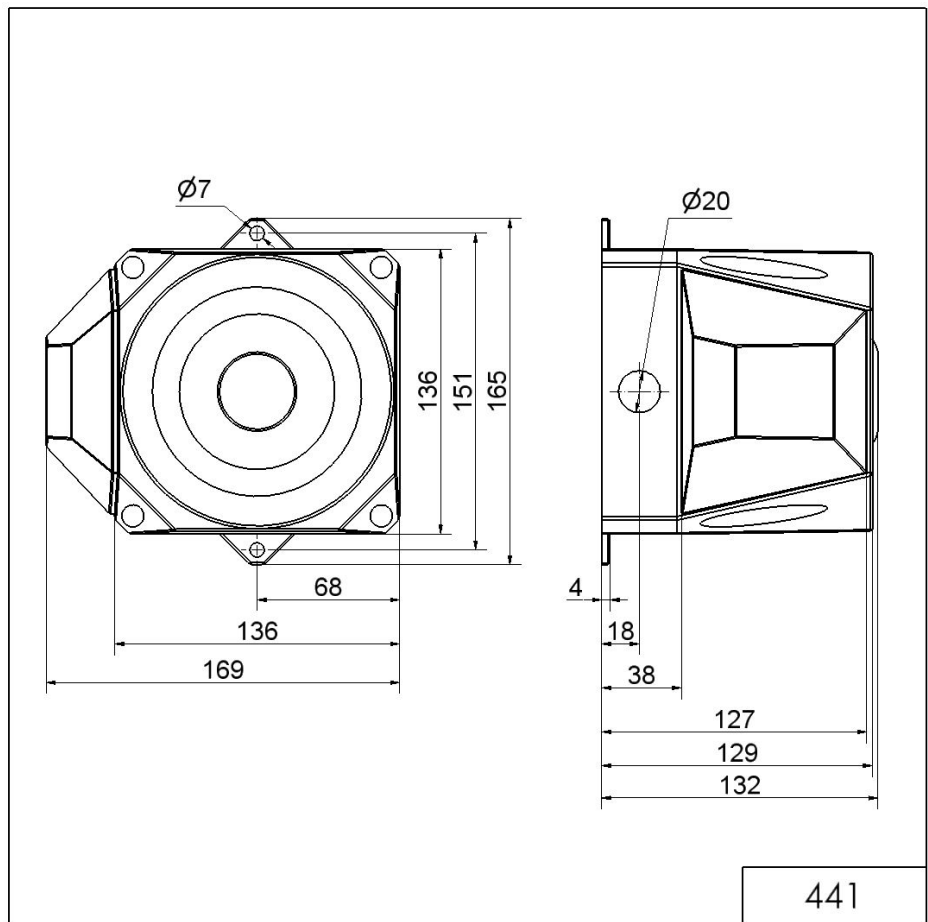
Heavy-Duty / Flash/Multi-Tone Sounder 441

Flash/Sounder WM 32 tne 230VAC GY/RD

| | |
|-----------------|------|
| Flash frequency | 1 Hz |
| Flash output | 2 J |

| ACUSTICAL DATA | |
|-------------------------------|----------------|
| Volume/dB(max) at 1m distance | 110,0 dB dB(A) |
| Acoustic signal image | Multi-tone |
| Number of tones | 32 tone |

DRAWING



! For additional installation and mounting information, refer to the appropriate user guide at www.werma.com. This printed copy is for information only and is subject to alteration.