

Midi / LED/Flash/EVS/Multi-t. sounder 433
LED Siren WM 32 tne 24VAC/DC GN



Part No.: 433.200.75



| MECHANICAL DATA | |
|------------------------------|-----------------------------|
| Length | 144 mm |
| Width | 134 mm |
| Height | 235 mm |
| Diameter | 134 mm |
| Materials | PC PC/ABS |
| Dome colour | Green |
| Housing colour | Grey |
| Protection category | IP65 |
| Connection | Screw terminals |
| cross-sectional area maximum | 1,50mm ² / 16AWG |
| Cable entry | Membrane grommet |
| Cable entry minimum | d = 1 mm |
| Cable entry maximum | d = 13 mm |
| Tension relief | Present (conforms to VDI) |
| Type of fixing | Wall mounting |
| Service life optical | 50,000 h maximum |
| Acoustic service life | 5,000 h minimum |
| Working temperature minimum | -30°C |
| Working temperature maximum | +50°C |
| UL Type Rating | Type 12 |
| Weight with packaging | 650 g |
| Product weight | 510 g |
| ELECTRICAL DATA | |
| Operating voltage | 24V |
| Operating voltage type | AC/DC |
| Operating voltage type | 50Hz |
| Operating voltage tolerance | +/- 10% |
| Rated operational voltage | 24 VDC |
| Rated operational current | 540 mA |
| Rated inrush current | 400 mA |
| Protection class | Protection class 2 |
| Pollution degree | 3 |
| OPTICAL DATA | |
| Light source | LED |
| Light colour | Green |

! For additional installation and mounting information, refer to the appropriate user guide at www.werma.com. This printed copy is for information only and is subject to alteration.

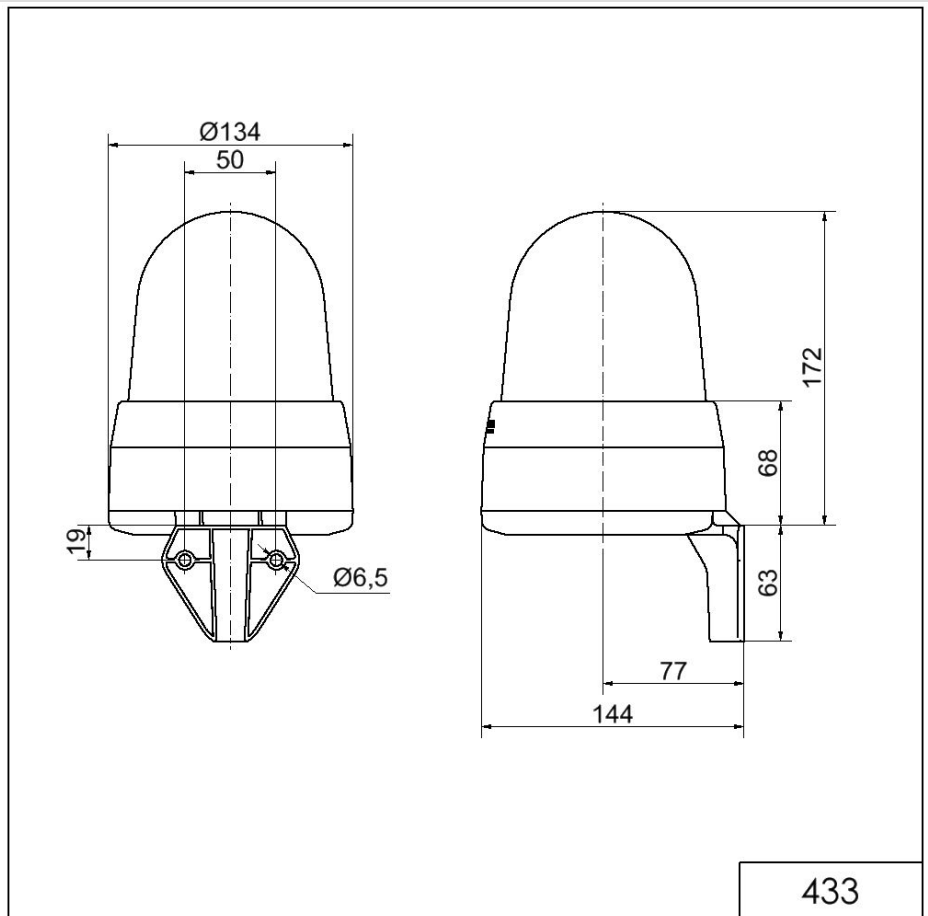
Midi / LED/Flash/EVS/Multi-t. sounder 433

LED Siren WM 32 tne 24VAC/DC GN

| | |
|----------------------|---------------------------|
| Optical signal image | EVS Flash Permanent |
|----------------------|---------------------------|

| ACUSTICAL DATA | |
|-------------------------------|----------------|
| Volume/dB(max) at 1m distance | 108,0 dB dB(A) |
| Acoustic signal image | Multi-tone |
| Number of tones | 32 tone |

DRAWING



! For additional installation and mounting information, refer to the appropriate user guide at www.werma.com. This printed copy is for information only and is subject to alteration.