

Installation / LED/Buzzer 150

Siren BWM Contin. tone 48VAC



Part No.: 153.000.66



MECHANICAL DATA	
Length	85 mm
Width	85 mm
Height	72 mm
Materials	PC PP-GF
Housing colour	Black
Protection category	IP66
Connection	Screw terminals
cross-sectional area maximum	1,50mm ² / 16AWG
Cable entry	Membrane grommet
Cable entry minimum	d = 1 mm
Cable entry maximum	d = 8 mm
Type of fixing	Base mounting Wall mounting
Service life optical	5,000 h minimum
Acoustic service life	5,000 h minimum
Working temperature minimum	-25°C
Working temperature maximum	+50°C
Weight with packaging	179 g
Product weight	149 g

ELECTRICAL DATA	
Operating voltage	48V
Operating voltage type	AC
Operating voltage type	50Hz
Operating voltage tolerance	+/- 10%
Rated operational voltage	48 VAC
Rated operational current	150 mA
Rated inrush current	7.000 mA
Protection class	Protection class 2
Pollution degree	3

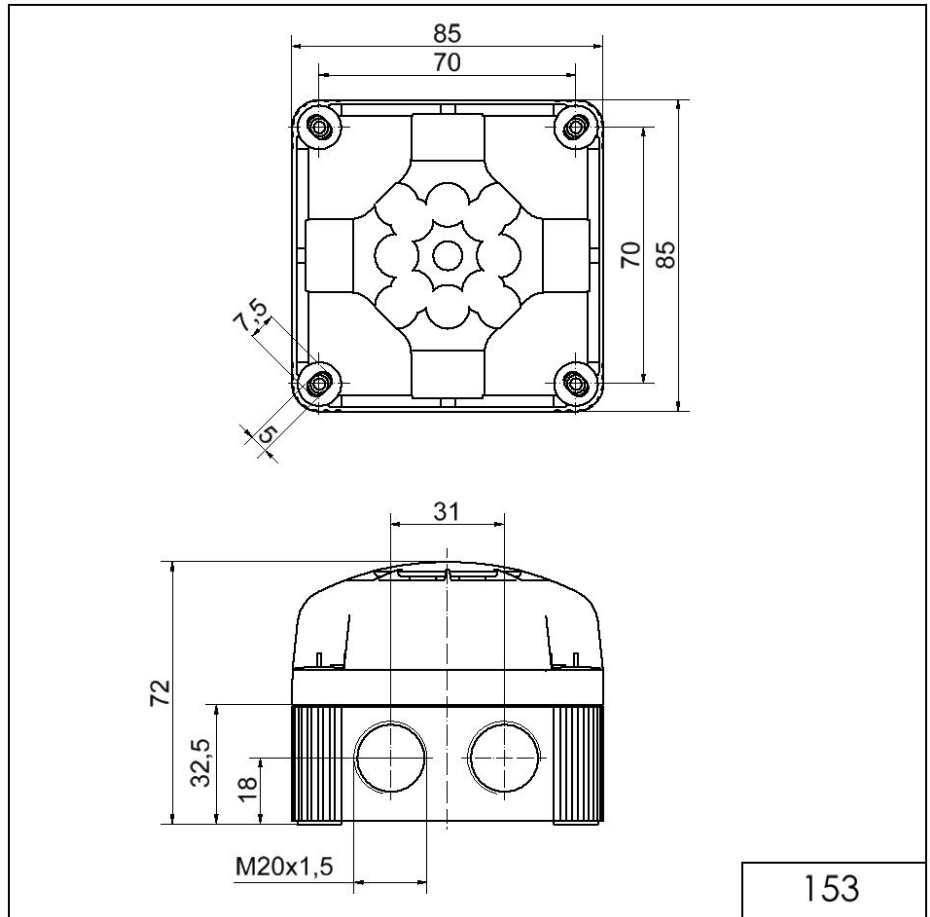
ACUSTICAL DATA	
Volume/dB(max) at 1m distance	105,0 dB dB(A)
Number of tones	1 tone

! For additional installation and mounting information, refer to the appropriate user guide at www.werma.com. This printed copy is for information only and is subject to alteration.

Installation / LED/Buzzer 150

Siren BWM Contin. tone 48VAC

DRAWING



! For additional installation and mounting information, refer to the appropriate user guide at www.werma.com. This printed copy is for information only and is subject to alteration.