

Mini Horns Sirens Buzzer / Electronic Buzzers 118 483/119 483

Electr. Buzzer WM Contin/pulse 24VAC/DC

Part No.: 119.483.15

**MECHANICAL DATA**

| | |
|-----------------------------|-----------------|
| Height | 80 mm |
| Diameter | 70 mm |
| Materials | PC/ABS |
| Housing colour | Grey |
| Protection category | IP33 |
| Connection | Flat plug |
| Type of fixing | Wall mounting |
| Service life optical | 5,000 h minimum |
| Acoustic service life | 5,000 h minimum |
| Working temperature minimum | 0°C |
| Working temperature maximum | +60°C |
| Weight with packaging | 85 g |
| Product weight | 80 g |

ELECTRICAL DATA

| | |
|-----------------------------|--------------------|
| Operating voltage | 24V |
| Operating voltage type | AC/DC |
| Operating voltage type | 50Hz |
| Operating voltage tolerance | +/- 10% |
| Rated operational voltage | 24 VDC |
| Rated operational current | 20 mA |
| Rated inrush current | <500mA |
| Protection class | Protection class 2 |
| Pollution degree | 2 |

ACUSTICAL DATA

| | |
|-------------------------------|-------------------------------|
| Volume/dB(max) at 1m distance | 90,0 dB dB(A) |
| Acoustic signal image | Continuous tone Pulse tone |
| Audio frequency | 2400 Hz |

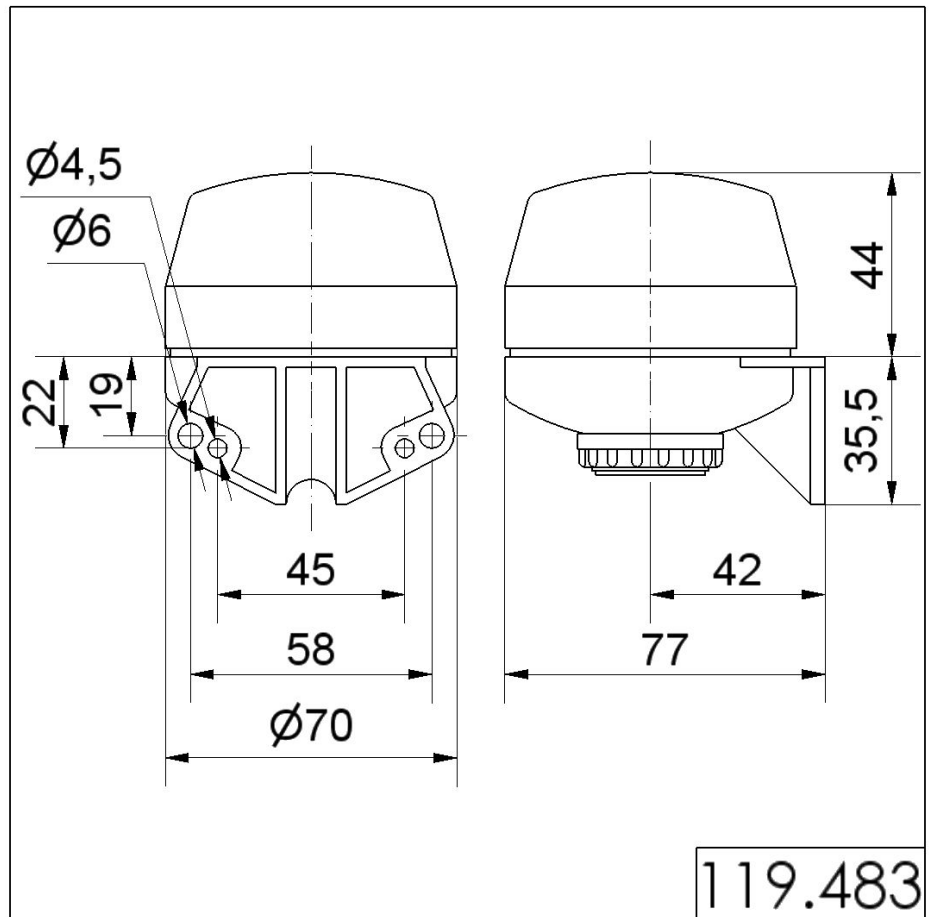


For additional installation and mounting information, refer to the appropriate user guide at www.werma.com. This printed copy is for information only and is subject to alteration.

Mini Horns Sirens Buzzer / Electronic Buzzers 118 483/119 483

Electr. Buzzer WM Contin/pulse 24VAC/DC

DRAWING



! For additional installation and mounting information, refer to the appropriate user guide at www.werma.com. This printed copy is for information only and is subject to alteration.