

KombiSIGN 70 / Audible Devices 844

Vocal element 24VDC BK



Part No.:	844.860.55
Series:	KombiSIGN 70



MECHANICAL DATA	
Height	118 mm
Diameter	125 mm
Materials	PC PC/ABS
Housing colour	Black
Protection category	IP54
Tension relief	Not present
Service life optical	5,000 h minimum
Acoustic service life	5,000 h minimum
Working temperature minimum	-20°C
Working temperature maximum	+50°C
Weight with packaging	775 g
Product weight	687 g

ELECTRICAL DATA	
Operating voltage	24V
Operating voltage type	DC
Operating voltage tolerance	+/- 10%
Rated operational voltage	24 VDC
Rated operational current	400 mA
Rated inrush current	500 mA
Protection class	Protection class 2
Pollution degree	3

ACUSTICAL DATA	
Volume/dB(max) at 1m distance	102,0 dB dB(A)
Volume adjustable	Potentiometer
Volume adjustment range	10-100%

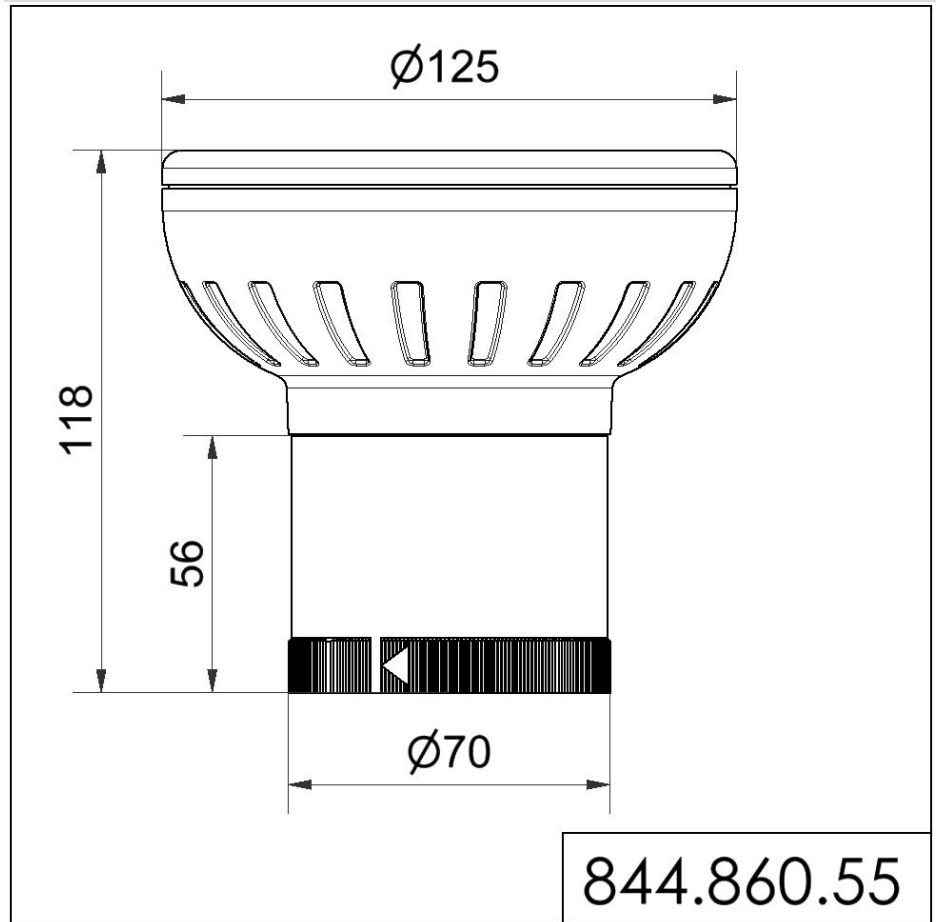


For additional installation and mounting information, refer to the appropriate user guide at www.werma.com. This printed copy is for information only and is subject to alteration.

KombiSIGN 70 / Audible Devices 844

Vocal element 24VDC BK

DRAWING



! For additional installation and mounting information, refer to the appropriate user guide at www.werma.com. This printed copy is for information only and is subject to alteration.