

Midi free-standing Beacons / Flash Light 835
Flashing Beacon WM 24VDC YE



Part No.: 835.352.55



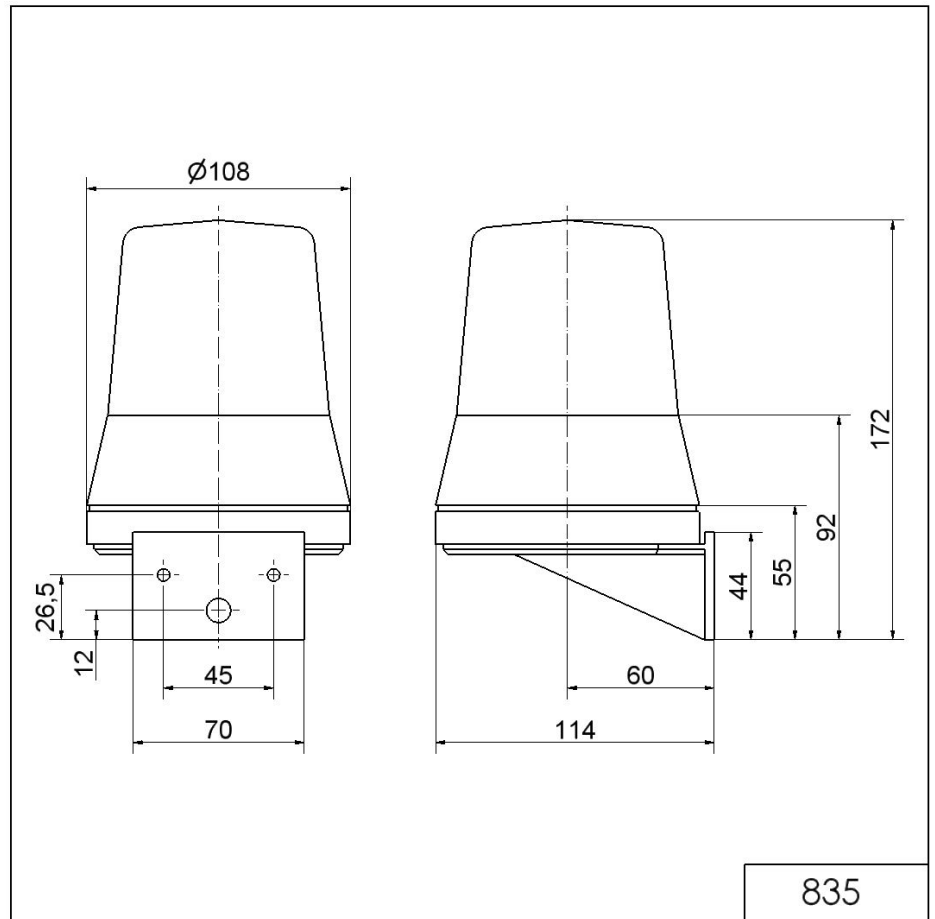
MECHANICAL DATA	
Length	114 mm
Height	172 mm
Diameter	108 mm
Materials	PC PC/ABS
Dome colour	Yellow
Housing colour	Grey
Protection category	IP54
Connection	Screw terminals
cross-sectional area maximum	2,50mm ² / 14AWG
Cable entry	Rubber pinch
Cable entry minimum	d = 5 mm
Cable entry maximum	d = 7 mm
Type of fixing	Wall mounting
Service life optical	4 million flashes minimum
Working temperature minimum	-20°C
Working temperature maximum	+40°C
Weight with packaging	336 g
Product weight	270 g
ELECTRICAL DATA	
Operating voltage	24V
Operating voltage type	DC
Operating voltage tolerance	+/- 10%
Rated operational voltage	24 VDC
Rated operational current	250 mA
Rated inrush current	300 mA
Protection class	Protection class 2
Pollution degree	3
OPTICAL DATA	
Light source	Xenon
Light colour	Yellow
Optical signal image	Flash
Flash frequency	1 Hz
Flash output	5 J



For additional installation and mounting information, refer to the appropriate user guide at www.werma.com. This printed copy is for information only and is subject to alteration.

Midi free-standing Beacons / Flash Light 835
Flashing Beacon WM 24VDC YE

DRAWING



! For additional installation and mounting information, refer to the appropriate user guide at www.werma.com. This printed copy is for information only and is subject to alteration.