

Midi free-standing Beacons / Flash Light 828  
**Flashing Beacon BM 12VDC YE**



Part No.: 828.300.54



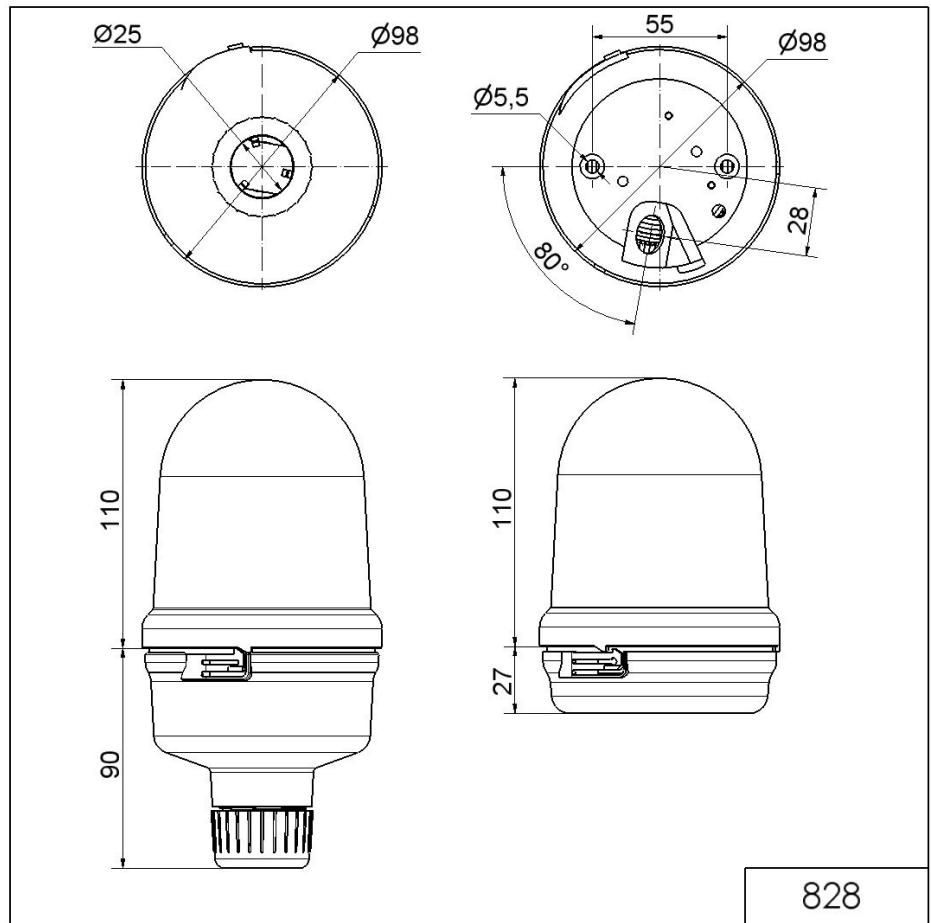
MECHANICAL DATA	
Height	137 mm
Diameter	98 mm
Materials	PC PC/ABS
Dome colour	Yellow
Housing colour	Black
Protection category	IP65
Connection	Screw terminals
cross-sectional area maximum	2,50mm <sup>2</sup> / 14AWG
Cable entry	Rubber pinch
Cable entry minimum	d = 5 mm
Cable entry maximum	d = 7 mm
Type of fixing	Base mounting
Service life optical	4 million flashes minimum
Working temperature minimum	-20°C
Working temperature maximum	+45°C
UL Type Rating	Type 12
Weight with packaging	267 g
Product weight	223 g
ELECTRICAL DATA	
Operating voltage	12V
Operating voltage type	DC
Operating voltage tolerance	+/- 10%
Rated operational voltage	12 VDC
Rated operational current	500 mA
Rated inrush current	12.000 mA
Protection class	Protection class 2
Pollution degree	3
OPTICAL DATA	
Light source	Xenon
Light colour	Yellow
Optical signal image	Flash
Flash frequency	1 Hz
Flash output	5 J



For additional installation and mounting information, refer to the appropriate user guide at [www.werma.com](http://www.werma.com). This printed copy is for information only and is subject to alteration.

Midi free-standing Beacons / Flash Light 828  
**Flashing Beacon BM 12VDC YE**

**DRAWING**



**!** For additional installation and mounting information, refer to the appropriate user guide at [www.werma.com](http://www.werma.com). This printed copy is for information only and is subject to alteration.