

Midi free-standing Beacons / Flash Light 828 Flashingl. w. 2 freq. RM 24VDC RD



Part No.: 828.160.55



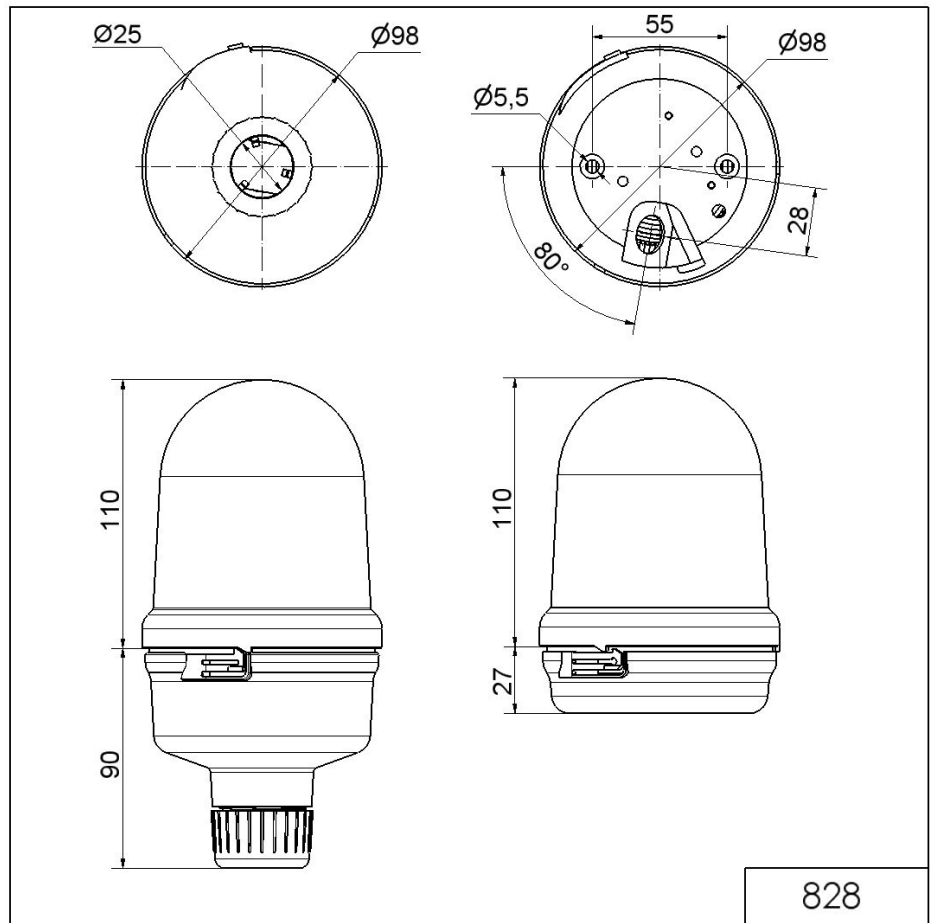
MECHANICAL DATA	
Height	200 mm
Diameter	98 mm
Materials	PC PC/ABS
Dome colour	Red
Housing colour	Black
Protection category	IP65
Connection	Screw terminals
cross-sectional area maximum	2,50mm ² / 14AWG
Cable entry	Through hole
Cable entry maximum	d = 11 mm
Type of fixing	Tube mounting
Service life optical	4 million flashes minimum
Working temperature minimum	-20°C
Working temperature maximum	+45°C
Weight with packaging	324 g
Product weight	255 g
ELECTRICAL DATA	
Operating voltage	24V
Operating voltage type	DC
Operating voltage tolerance	+/- 10%
Rated operational voltage	24 VDC
Rated operational current	500 mA
Protection class	Protection class 2
Pollution degree	3
OPTICAL DATA	
Light source	Xenon
Light colour	Red
Optical signal image	Flash
Flash frequency	1.5 Hz
Flash output	5 J



For additional installation and mounting information, refer to the appropriate user guide at www.werma.com. This printed copy is for information only and is subject to alteration.

Midi free-standing Beacons / Flash Light 828
Flashingl. w. 2 freq. RM 24VDC RD

DRAWING



! For additional installation and mounting information, refer to the appropriate user guide at www.werma.com. This printed copy is for information only and is subject to alteration.