

Midi free-standing Beacons / Blinkleuchte 827

**Blinking Beacon BM 24VAC/DC YE**

Part No.: 827.300.75

**MECHANICAL DATA**

Height	137 mm
Diameter	98 mm
Materials	PC PC/ABS
Dome colour	Yellow
Housing colour	Black
Protection category	IP65
Connection	Screw terminals
cross-sectional area maximum	2,50mm <sup>2</sup> / 14AWG
Cable entry	Rubber pinch
Cable entry minimum	d = 5 mm
Cable entry maximum	d = 7 mm
Type of fixing	Base mounting
Service life optical	depends on bulb
Working temperature minimum	-20°C
Working temperature maximum	+50°C
UL Type Rating	Type 12
Weight with packaging	255 g
Product weight	211 g

**ELECTRICAL DATA**

Operating voltage	24V
Operating voltage type	AC/DC
Operating voltage type	50Hz
Operating voltage tolerance	+/- 10%
Rated operational voltage	24 VDC
Rated operational current	940 mA
Rated inrush current	3.000 mA
Protection class	Protection class 2
Pollution degree	3

**OPTICAL DATA**

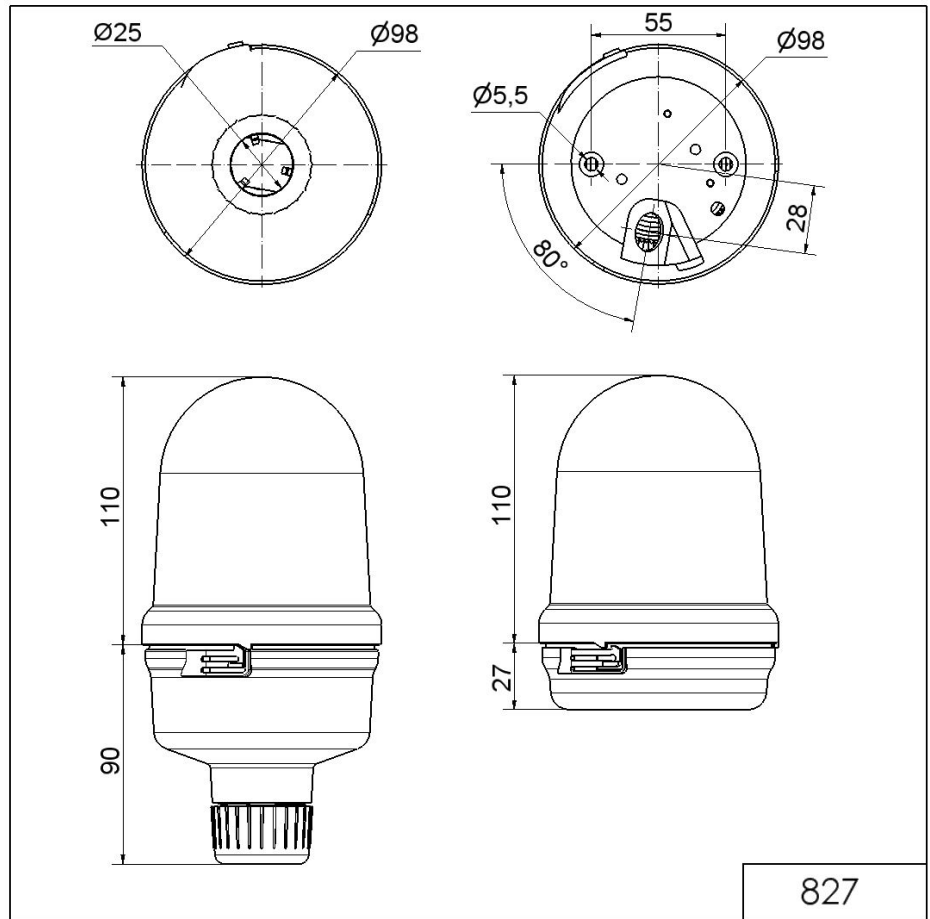
Light colour	Yellow
Blink frequency (Hz)	1.7 Hz



For additional installation and mounting information, refer to the appropriate user guide at [www.werma.com](http://www.werma.com). This printed copy is for information only and is subject to alteration.

Midi free-standing Beacons / Blinkleuchte 827  
**Blinking Beacon BM 24VAC/DC YE**

**DRAWING**



**!** For additional installation and mounting information, refer to the appropriate user guide at [www.werma.com](http://www.werma.com). This printed copy is for information only and is subject to alteration.