

Mini installation beacon / Installation Flashing Light 817
Flashing Beacon EM 24VDC RD

Part No.: 817.100.55



| MECHANICAL DATA | |
|------------------------------|-----------------------------|
| Height | 97 mm |
| Diameter | 75 mm |
| Materials | PC PC/ABS |
| Dome colour | Red |
| Protection category | IP65 |
| Connection | Screw terminals |
| cross-sectional area maximum | 1,50mm ² / 16AWG |
| Cable entry | Through hole |
| Cable entry maximum | d = 9 mm |
| Tension relief | Present (conforms to VDI) |
| Type of fixing | Built-in mounting |
| Service life optical | 4 million flashes minimum |
| Working temperature minimum | -20°C |
| Working temperature maximum | +50°C |
| UL Type Rating | Type 12 |
| Weight with packaging | 141 g |
| Product weight | 114 g |

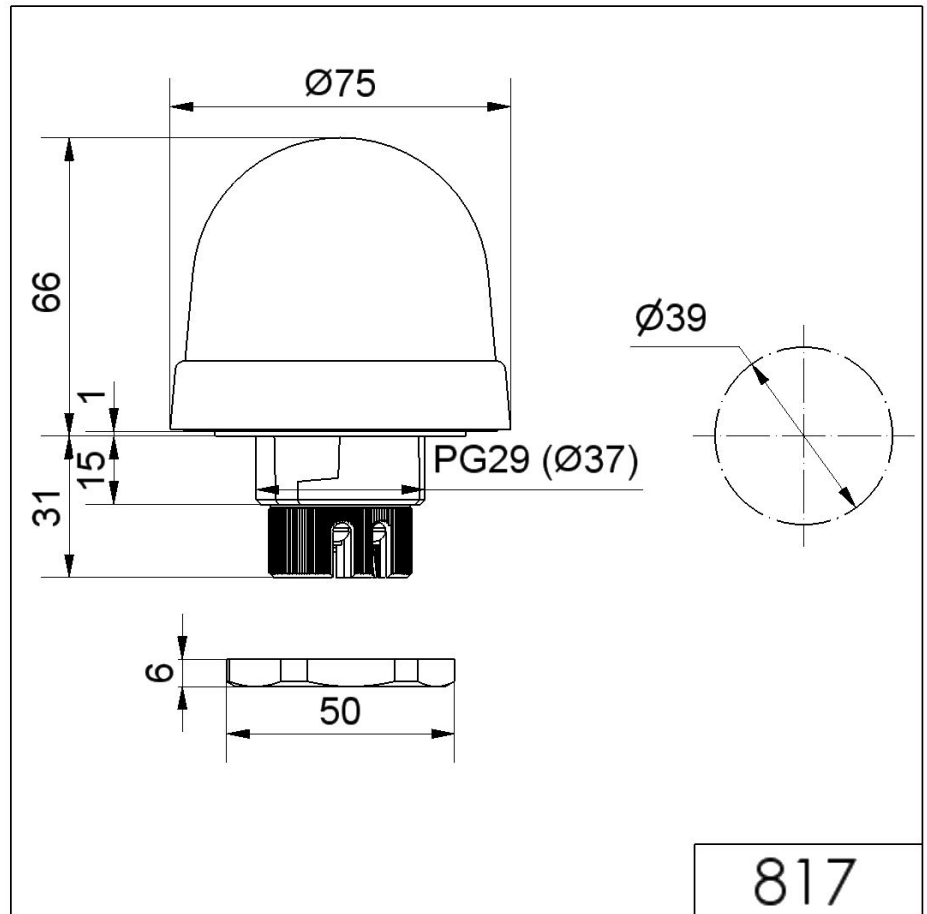
| ELECTRICAL DATA | |
|-----------------------------|--------------------------------|
| Operating voltage | 24V |
| Operating voltage type | DC |
| Operating voltage tolerance | +/- 10% |
| Rated operational voltage | 24 VDC |
| Rated operational current | 125 mA |
| Rated inrush current | 500 mA |
| Protection class | Protection class 2 |
| Pollution degree | 3 In the connection area: 2 |

| OPTICAL DATA | |
|----------------------|-------|
| Light source | Xenon |
| Light colour | Red |
| Optical signal image | Flash |
| Flash frequency | 1 Hz |
| Flash output | 2 J |

! For additional installation and mounting information, refer to the appropriate user guide at www.werma.com. This printed copy is for information only and is subject to alteration.

Mini installation beacon / Installation Flashing Light 817
Flashing Beacon EM 24VDC RD

DRAWING



For additional installation and mounting information, refer to the appropriate user guide at www.werma.com. This printed copy is for information only and is subject to alteration.