

Maxi free-standing Beacons / LED Double Flash Beacon 280

LED Double Flash Beacon BM 24VDC YE

Part No.: 280.350.55

**MECHANICAL DATA**

Height	218 mm
Diameter	142 mm
Materials	PC PC/ABS
Dome colour	Yellow
Housing colour	Black
Protection category	IP65
Connection	Screw terminals
cross-sectional area maximum	2,50mm ² / 14AWG
Cable entry	Rubber pinch
Cable entry minimum	d = 5 mm
Cable entry maximum	d = 7 mm
Type of fixing	Base mounting
Service life optical	50,000 h maximum
Working temperature minimum	-30°C
Working temperature maximum	+50°C
Weight with packaging	607 g
Product weight	514 g

ELECTRICAL DATA

Operating voltage	24V
Operating voltage type	DC
Operating voltage tolerance	+/- 10%
Rated operational voltage	24 VDC
Rated operational current	150 mA
Rated inrush current	500 mA
Protection class	Protection class 2
Pollution degree	3

OPTICAL DATA

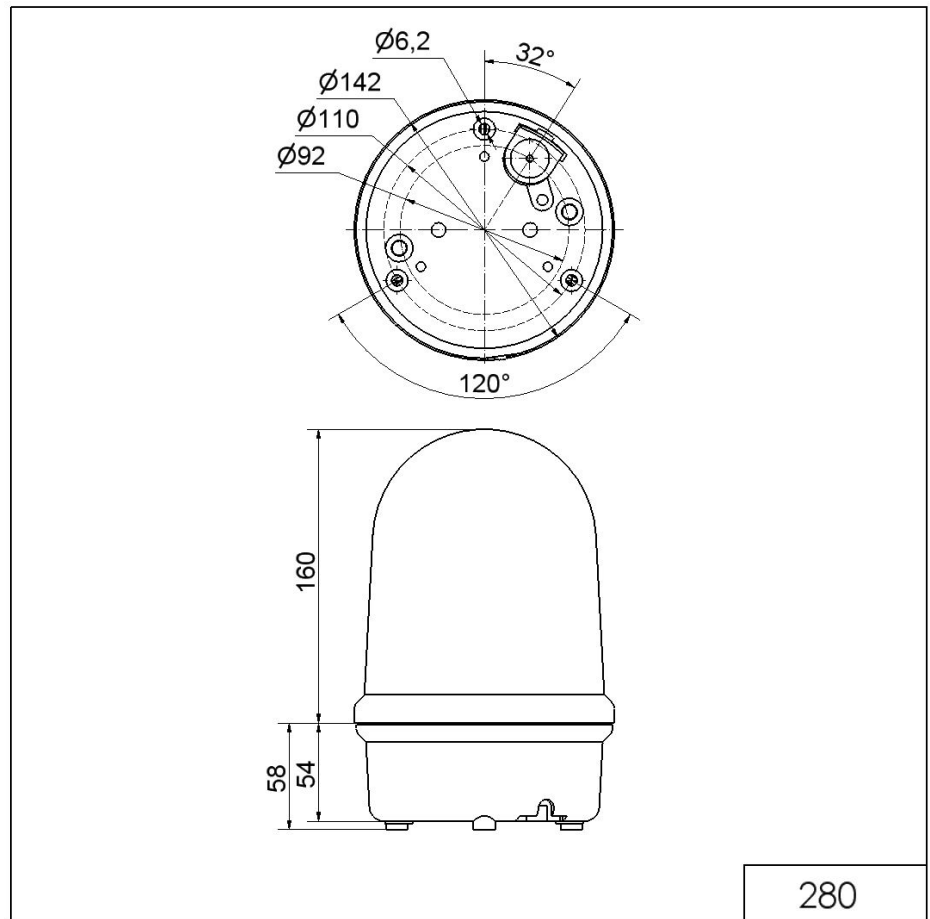
Light source	LED
Light colour	Yellow
Optical signal image	Double flash
Flash frequency	1 Hz



For additional installation and mounting information, refer to the appropriate user guide at www.werma.com. This printed copy is for information only and is subject to alteration.

Maxi free-standing Beacons / LED Double Flash Beacon 280
LED Double Flash Beacon BM 24VDC YE

DRAWING



! For additional installation and mounting information, refer to the appropriate user guide at www.werma.com. This printed copy is for information only and is subject to alteration.