

Maxi free-standing Beacons / LED Double Flash Beacon 280

**LED Double Flash Beacon BM 115-230VAC RD**

Part No.: 280.150.60

**MECHANICAL DATA**

Height	218 mm
Diameter	142 mm
Materials	PC PC/ABS
Dome colour	Red
Housing colour	Black
Protection category	IP65
Connection	Screw terminals
cross-sectional area maximum	2,50mm <sup>2</sup> / 14AWG
Cable entry	Rubber pinch
Cable entry minimum	d = 5 mm
Cable entry maximum	d = 7 mm
Type of fixing	Base mounting
Service life optical	50,000 h maximum
Working temperature minimum	-30°C
Working temperature maximum	+50°C
Weight with packaging	628 g
Product weight	535 g

**ELECTRICAL DATA**

Operating voltage	115-230V
Operating voltage type	AC
Operating voltage type	50Hz at 230V 60Hz at 115V
Operating voltage tolerance	+/- 10%
Rated operational voltage	230 VAC
Rated operational current	100 mA
Rated inrush current	500 mA
Protection class	Protection class 2
Pollution degree	3
Overvoltage category	II
Isolation voltage	Ui = 250V; Uimp = 2.500V

**OPTICAL DATA**

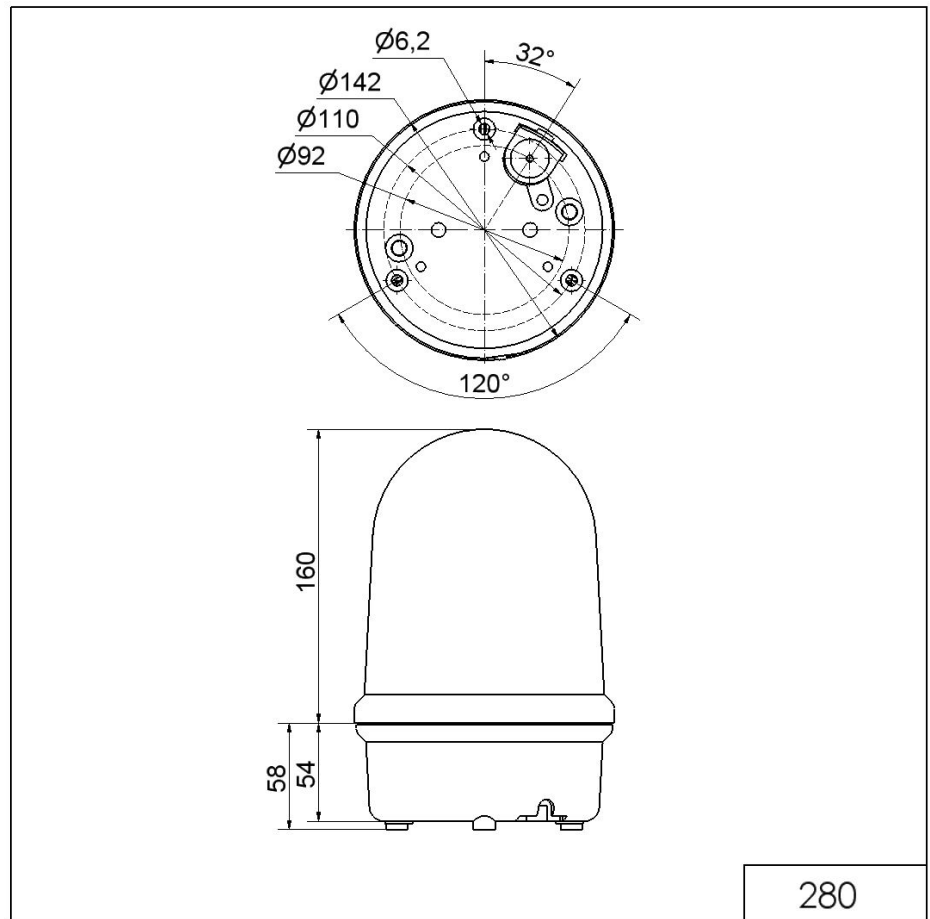
Light source	LED
Light colour	Red
Optical signal image	Double flash
Flash frequency	1 Hz



For additional installation and mounting information, refer to the appropriate user guide at [www.werma.com](http://www.werma.com). This printed copy is for information only and is subject to alteration.

Maxi free-standing Beacons / LED Double Flash Beacon 280  
**LED Double Flash Beacon BM 115-230VAC RD**

**DRAWING**



! For additional installation and mounting information, refer to the appropriate user guide at [www.werma.com](http://www.werma.com). This printed copy is for information only and is subject to alteration.