

Mini free-standing Beacons / Permanent Light 223 Permanent Beacon WM 12-230VAC/DC RD



Part No.: 223.100.00



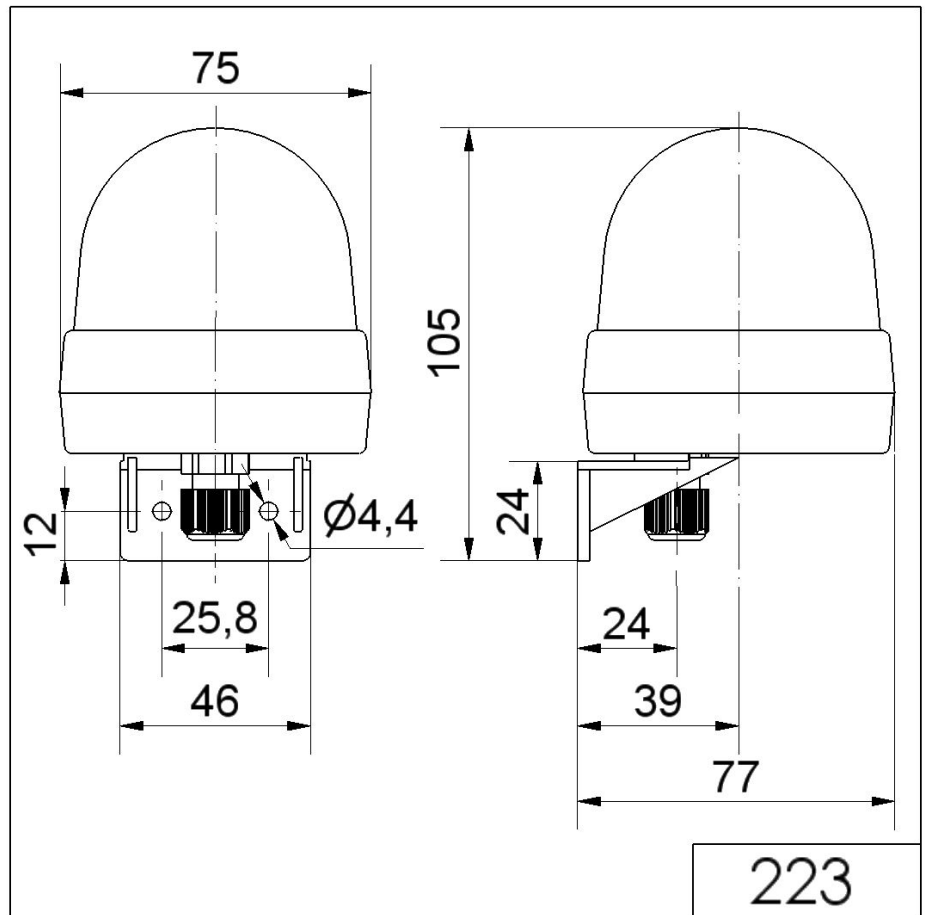
| MECHANICAL DATA | |
|------------------------------|-----------------------------|
| Height | 105 mm |
| Diameter | 75 mm |
| Materials | PA-GF PC PC/ABS |
| Dome colour | Red |
| Housing colour | Black |
| Protection category | IP65 |
| Connection | Spring-type terminal |
| cross-sectional area maximum | 2,50mm ² / 14AWG |
| Cable entry | Screwed cable gland |
| Cable entry minimum | d = 3 mm |
| Cable entry maximum | d = 6 mm |
| Tension relief | Present (conforms to VDI) |
| Type of fixing | Wall mounting |
| Service life optical | depends on bulb |
| Working temperature minimum | -20°C |
| Working temperature maximum | +50°C |
| UL Type Rating | Type 12 |
| Weight with packaging | 103 g |
| Product weight | 10 g |
| ELECTRICAL DATA | |
| Operating voltage | 12-230V |
| Operating voltage type | AC/DC |
| Protection class | Protection class 2 |
| Pollution degree | 3 |
| Overvoltage category | II |
| Isolation voltage | Ui = 250V; Uimp = 2.500V |
| OPTICAL DATA | |
| Light colour | Red |



For additional installation and mounting information, refer to the appropriate user guide at www.werma.com. This printed copy is for information only and is subject to alteration.

Mini free-standing Beacons / Permanent Light 223
Permanent Beacon WM 12-230VAC/DC RD

DRAWING



For additional installation and mounting information, refer to the appropriate user guide at www.werma.com. This printed copy is for information only and is subject to alteration.