

Mini free-standing Beacons / LED-Permanent Light 221
LED Perm. Beacon BM 115VAC YE



Part No.: 221.300.67



MECHANICAL DATA	
Height	79 mm
Diameter	75 mm
Materials	PA-GF PC PC/ABS
Dome colour	Yellow
Housing colour	Black
Protection category	IP65
Connection	Spring-type terminal
cross-sectional area maximum	2,50mm ² / 14AWG
Cable entry	Through hole
Cable entry maximum	d = 10 mm
Tension relief	Present (conforms to VDI)
Type of fixing	Base mounting
Service life optical	100,000 h maximum
Working temperature minimum	-20°C
Working temperature maximum	+50°C
UL Type Rating	Type 12
Weight with packaging	132 g
Product weight	105 g

ELECTRICAL DATA	
Operating voltage	115V
Operating voltage type	AC
Operating voltage type	60Hz
Operating voltage tolerance	+/- 10%
Rated operational voltage	115 VAC
Rated operational current	25 mA
Rated inrush current	500 mA
Protection class	Protection class 2
Pollution degree	3
Overvoltage category	II
Isolation voltage	Ui = 250V; Uimp = 2.500V

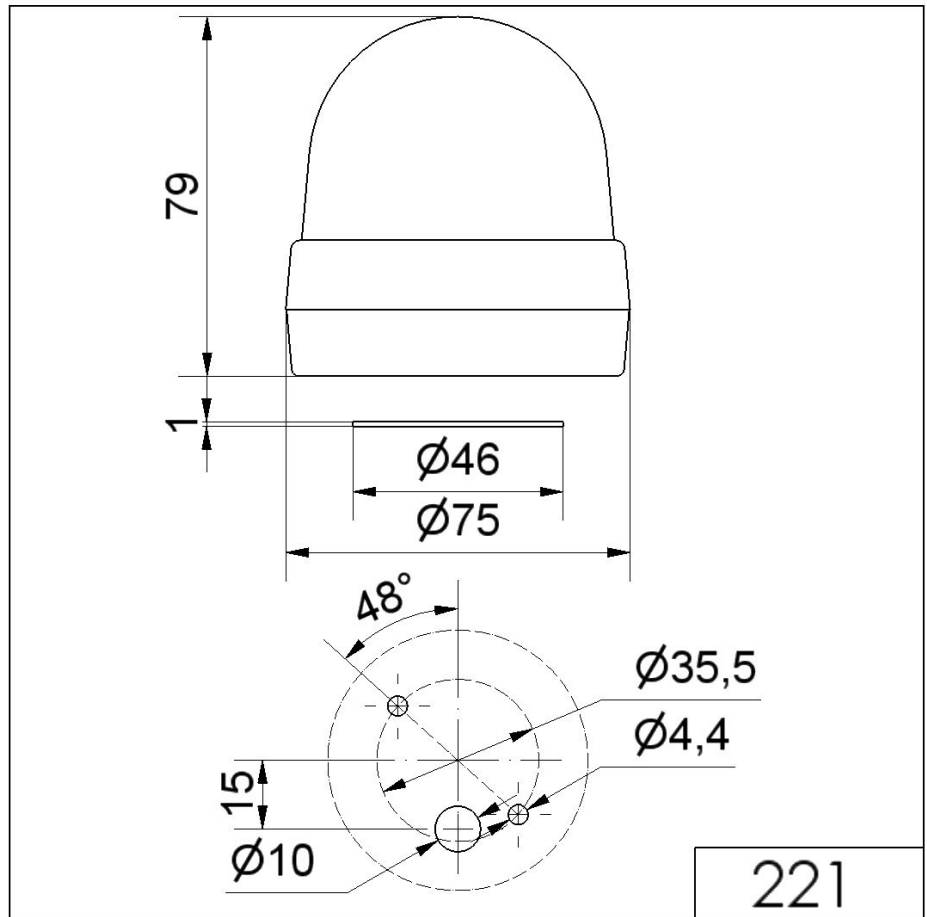
OPTICAL DATA	
Light source	LED
Light colour	Yellow
Optical signal image	Permanent

! For additional installation and mounting information, refer to the appropriate user guide at www.werma.com. This printed copy is for information only and is subject to alteration.

Mini free-standing Beacons / LED-Permanent Light 221

LED Perm. Beacon BM 115VAC YE

DRAWING



! For additional installation and mounting information, refer to the appropriate user guide at www.werma.com. This printed copy is for information only and is subject to alteration.