

FlatSIGN / FlatSIGN without Audible Signal  
**FlatSIGN cI WM 24VAC/DC GN/YE/RD**



Part No.:	691.100.55
Series:	FlatSIGN



MECHANICAL DATA	
Length	105 mm
Width	45 mm
Height	195 mm
Materials	PC PC/ABS
Dome colour	Clear
Protection category	IP65
Connection	Screw terminals
cross-sectional area minimum	0,50mm <sup>2</sup> / 20AWG
cross-sectional area maximum	1,50mm <sup>2</sup> / 16AWG
Cable entry	Membrane grommet
Cable entry minimum	d = 1 mm
Cable entry maximum	d = 13 mm
Tension relief	Present (conforms to VDI)
Type of fixing	Wall mounting
Service life optical	50,000 h maximum
Acoustic service life	5,000 h minimum
Working temperature minimum	-30°C
Working temperature maximum	+50°C
UL Type Rating	Type 5
Weight with packaging	282 g
Product weight	230 g

ELECTRICAL DATA	
Operating voltage	24V
Operating voltage type	AC/DC
Operating voltage type	50Hz
Operating voltage tolerance	+/- 10%
Rated operational voltage	24 VDC
Rated operational current	30 mA
Rated inrush current	300 mA
Protection class	Protection class 2
Pollution degree	3

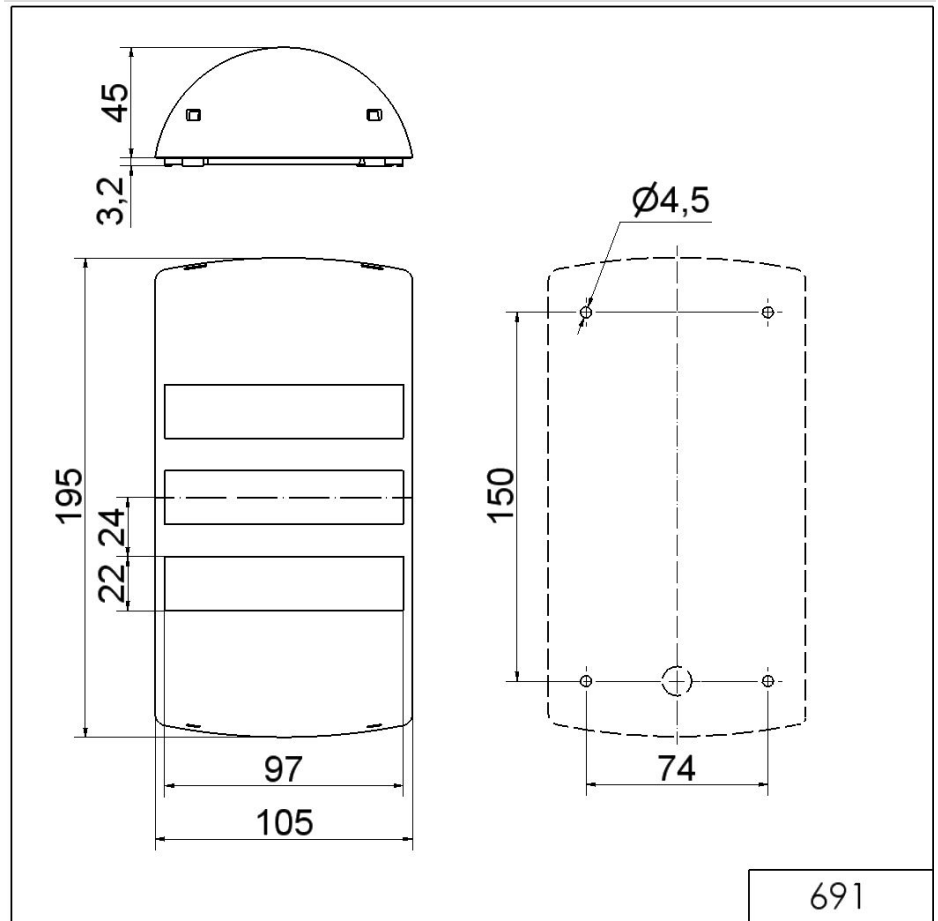
OPTICAL DATA	
Light source	LED
Light colour	Green Red Yellow

! For additional installation and mounting information, refer to the appropriate user guide at [www.werma.com](http://www.werma.com). This printed copy is for information only and is subject to alteration.

FlatSIGN / FlatSIGN without Audible Signal  
**FlatSIGN cI WM 24VAC/DC GN/YE/RD**

Optical signal image	Blink Permanent
Blink frequency (Hz)	1 Hz

**DRAWING**



691



For additional installation and mounting information, refer to the appropriate user guide at [www.werma.com](http://www.werma.com). This printed copy is for information only and is subject to alteration.