

Traffic Lights / LED Light / LED Traffic Light 890

**LED Perm. Beacon WM 115-230VAC GN/YE/RD**



Part No.: 894.080.68



MECHANICAL DATA	
Height	394 mm
Diameter	85 mm
Materials	PC/ABS
Dome colour	Green Red Yellow
Housing colour	Grey
Protection category	IP65 IP69K
Connection	Screw terminals
cross-sectional area maximum	1,50mm <sup>2</sup> / 16AWG
Cable entry	Membrane grommet
Cable entry minimum	d = 1 mm
Cable entry maximum	d = 13 mm
Type of fixing	Wall mounting
Service life optical	50,000 h maximum
Working temperature minimum	-30°C
Working temperature maximum	+50°C
Weight with packaging	740 g
Product weight	649 g
ELECTRICAL DATA	
Operating voltage	115-230V
Operating voltage type	AC
Operating voltage type	50Hz at 230V 60Hz at 115V
Operating voltage tolerance	+/- 10%
Rated operational voltage	230 VAC
Rated operational current	130 mA
Rated inrush current	2.000 mA
Protection class	Protection class 2
Pollution degree	3
Overvoltage category	II
Isolation voltage	Ui = 250V; Uimp = 2.500V
OPTICAL DATA	
Light source	LED
Light colour	Green Red Yellow

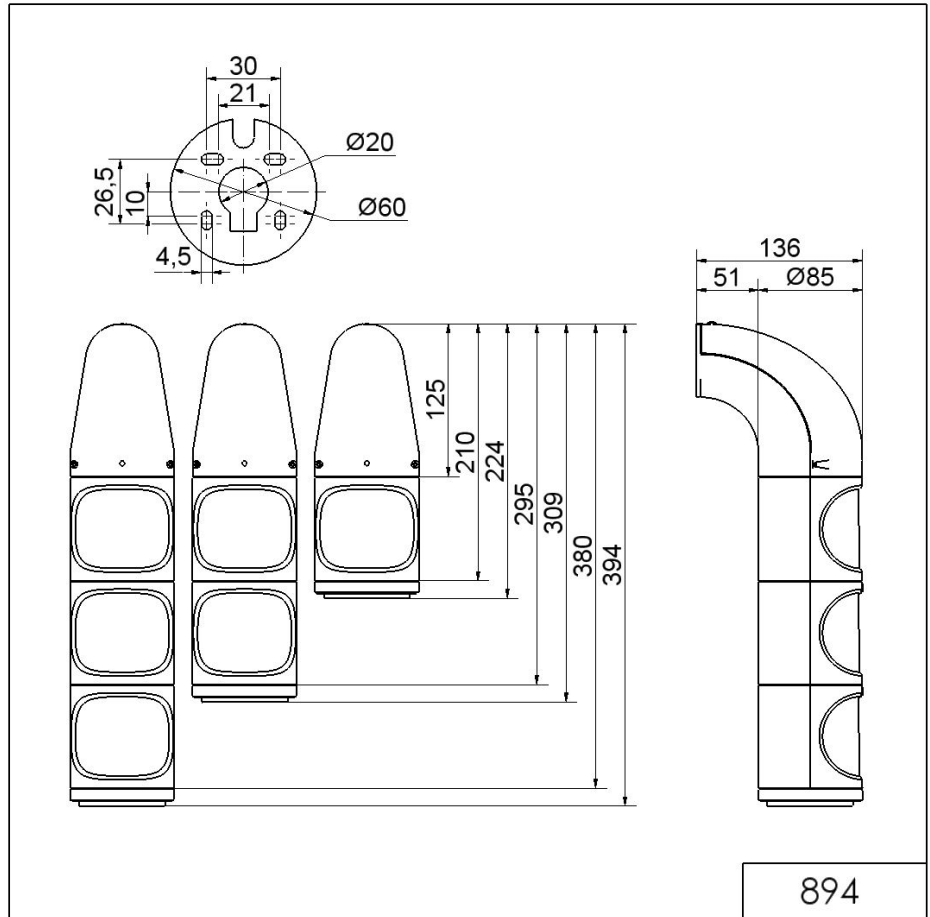
! For additional installation and mounting information, refer to the appropriate user guide at [www.werma.com](http://www.werma.com). This printed copy is for information only and is subject to alteration.

Traffic Lights / LED Light / LED Traffic Light 890

**LED Perm. Beacon WM 115-230VAC GN/YE/RD**

Optical signal image	Permanent
----------------------	-----------

**DRAWING**



! For additional installation and mounting information, refer to the appropriate user guide at [www.werma.com](http://www.werma.com). This printed copy is for information only and is subject to alteration.