

Midi free-standing Beacons / Rotating Mirror Light 880

Rotating Mirror Beacon BM 24VDC YE



Part No.: 880.352.55



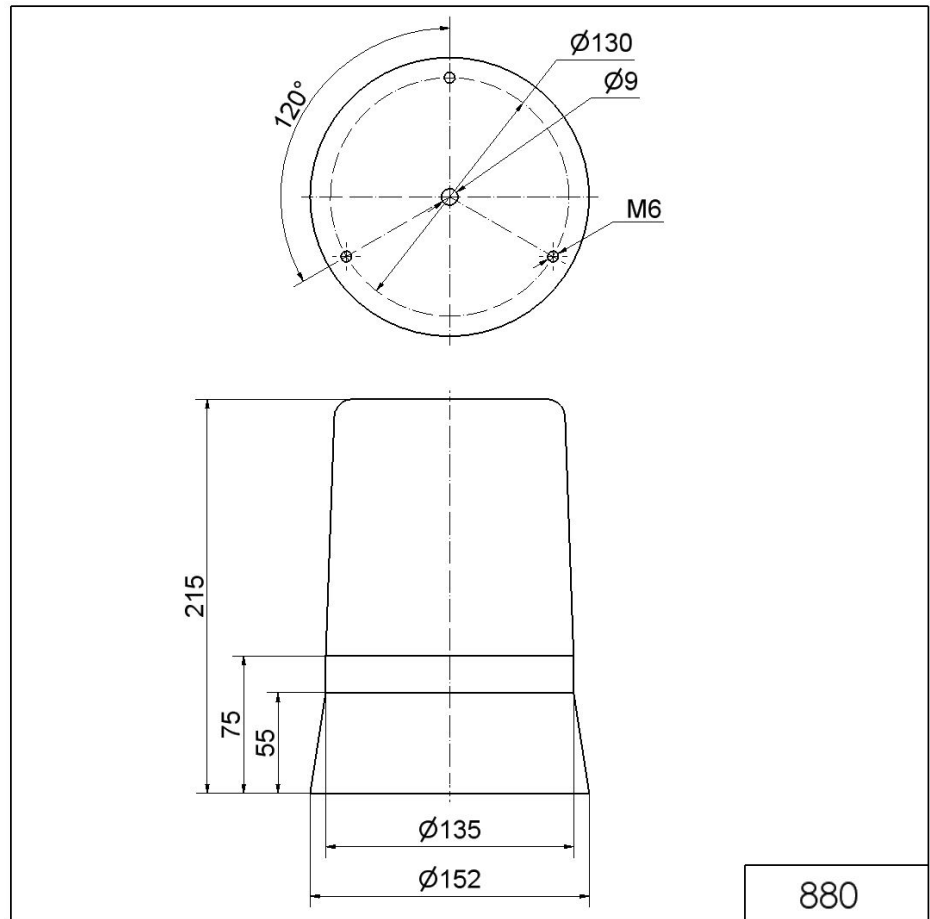
MECHANICAL DATA	
Height	215 mm
Diameter	152 mm
Materials	ABS PMMA
Dome colour	Yellow
Housing colour	Black
Protection category	IP54
Connection	Screw terminals
cross-sectional area maximum	1,50mm ² / 16AWG
Cable entry	Through hole
Cable entry maximum	d = 8 mm
Type of fixing	Base mounting
Service life optical	2,000 h minimum
Working temperature minimum	-20°C
Working temperature maximum	+50°C
Weight with packaging	1095 g
Product weight	945 g
ELECTRICAL DATA	
Operating voltage	24V
Operating voltage type	DC
Operating voltage tolerance	+/- 10%
Rated operational voltage	24 VDC
Rated operational current	3000 mA
Rated inrush current	10.000 mA
Protection class	Protection class 2
Pollution degree	3
OPTICAL DATA	
Light source	halogen bulb
Light colour	Yellow
Rotation frequency (rpm)	170 U/min

! For additional installation and mounting information, refer to the appropriate user guide at www.werma.com. This printed copy is for information only and is subject to alteration.

Midi free-standing Beacons / Rotating Mirror Light 880

Rotating Mirror Beacon BM 24VDC YE

DRAWING



880

! For additional installation and mounting information, refer to the appropriate user guide at www.werma.com. This printed copy is for information only and is subject to alteration.