

Mini free-standing Beacons / LED-Permanent Light 211

LED Perm. Beacon BM 115VAC YE



Part No.: 211.300.67



| MECHANICAL DATA | |
|------------------------------|-----------------------------|
| Height | 97 mm |
| Diameter | 58 mm |
| Materials | PA-GF PC |
| Dome colour | Yellow |
| Housing colour | Black |
| Protection category | IP65 |
| Connection | Spring-type terminal |
| cross-sectional area maximum | 2,50mm ² / 14AWG |
| Cable entry | Through hole |
| Cable entry maximum | d = 10 mm |
| Type of fixing | Base mounting |
| Service life optical | 100,000 h maximum |
| Working temperature minimum | -20°C |
| Working temperature maximum | +50°C |
| UL Type Rating | Type 12 |
| Weight with packaging | 92 g |
| Product weight | 70 g |

| ELECTRICAL DATA | |
|-----------------------------|--------------------------|
| Operating voltage | 115V |
| Operating voltage type | AC |
| Operating voltage type | 60Hz |
| Operating voltage tolerance | +/- 10% |
| Rated operational voltage | 115 VAC |
| Rated operational current | 25 mA |
| Rated inrush current | 500 mA |
| Protection class | Protection class 2 |
| Pollution degree | 3 |
| Overvoltage category | II |
| Isolation voltage | Ui = 250V; Uimp = 2.500V |

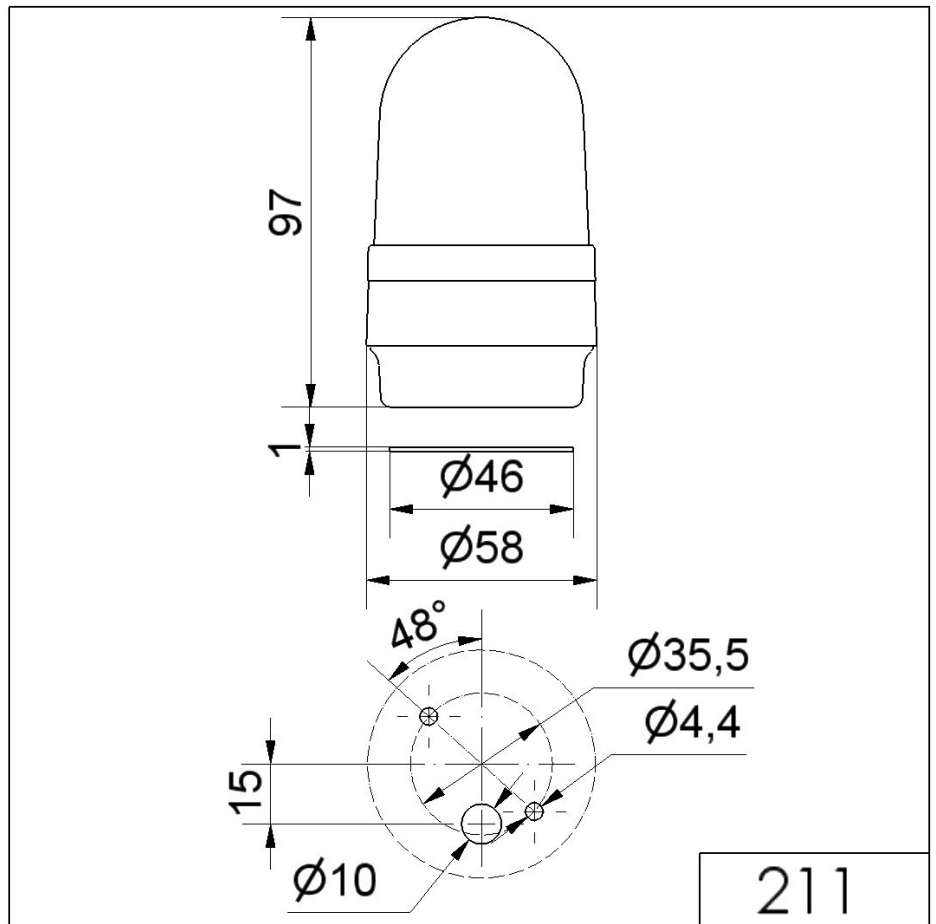
| OPTICAL DATA | |
|----------------------|-----------|
| Light source | LED |
| Light colour | Yellow |
| Optical signal image | Permanent |

! For additional installation and mounting information, refer to the appropriate user guide at www.werma.com. This printed copy is for information only and is subject to alteration.

Mini free-standing Beacons / LED-Permanent Light 211

LED Perm. Beacon BM 115VAC YE

DRAWING



! For additional installation and mounting information, refer to the appropriate user guide at www.werma.com. This printed copy is for information only and is subject to alteration.